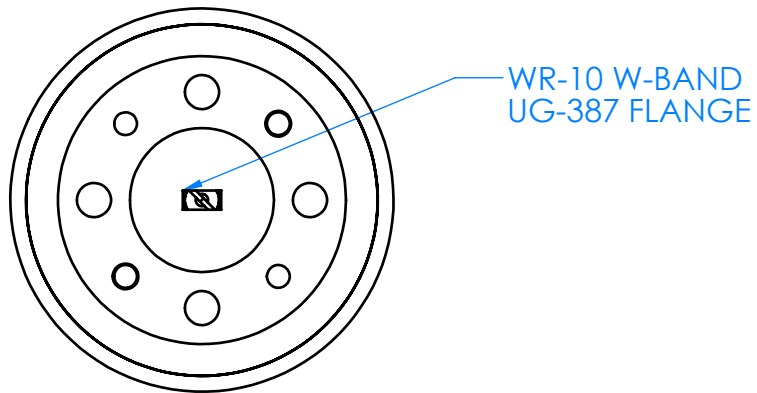
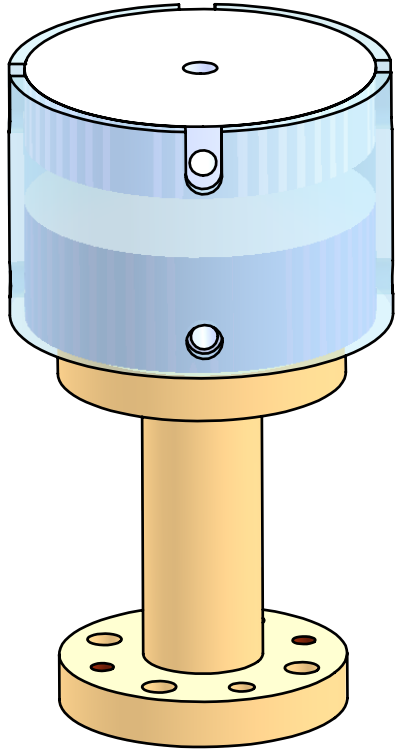
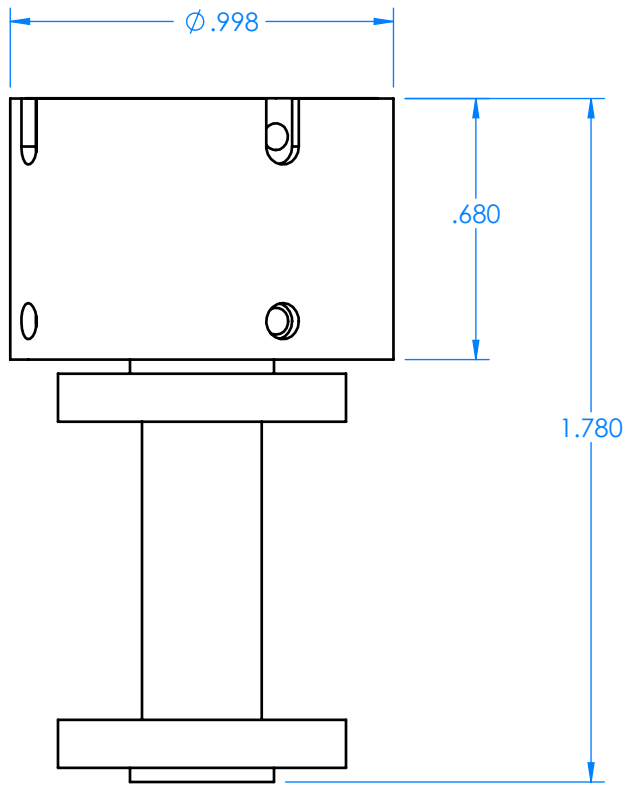


REVISIONS			
REV	DESCRIPTION	DATE	APPROVED
--	--	--	--



ITEM NO.	PART NUMBER	QTY.
1	267W-96-387_TOP_23677	1
2	267W-96-387_BOTTOM_23678	1
3	267W-96-387_SLEEVE_23669	1
4	267W-96-387_TRANSITION_23670	1
5	Polarizer Card_WR-10_94GHz	1

DECIMALS: XXXX ±.0005 XXX ±.005 XX ±.01	DRAWN	JV	8-4-17
ANGLES: ± .5 DEGREE	CHECKED	MS	8-4-17
THIRD ANGLE PROJECTION	ENG	MS	8-4-17
	MATL:		

TITLE:	Mi-Wave Millimeter Products Inc.	
SIZE	DWG. NO.	REV
<b>A</b>	267W-96-387_OUTLINE_23680	
SCALE: 2:1	WEIGHT:	SHEET 1 OF 1