

Description

Mi-Wave's 550 Series Frequency Meters are available in three standard waveguide sizes for operation from 50 to 220 GHz frequency range.

Each unit is supplied with a calibration table and curve. The calibration is performed by using the micrometer-driven plunger to measure the distance between electrical resonances for a known frequency. These distances are recorded for several frequencies and the plotted on a curve to allow extrapolation for all frequencies.

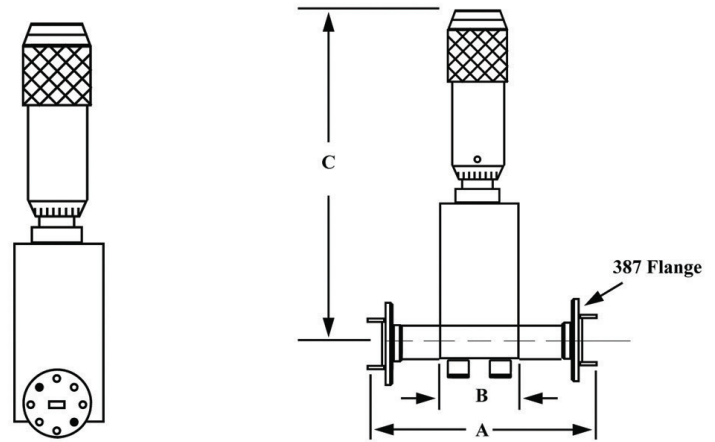
- *High Frequency Operation from 50.0 to 220 GHz*
- *Circular Waveguide Cavity for High-Q Resonances*
- *Micrometer Readout for Accurate Frequency Determination*

Applications

The 550 Series Frequency Meters are reaction-type cavity wavemeters designed for the accurate determination of millimeter wave signal frequencies.

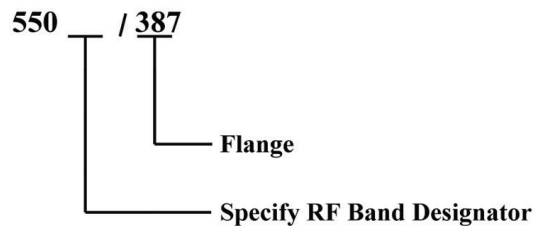


Dimensional Specifications						
Model No.	A		B		C	
	in.	mm	in.	mm	in.	mm
550F	1.20	30.5	.50	12.7	2.50	63.5
550D	1.20	30.5	.50	12.7	2.50	63.5
550G	1.20	30.5	.50	12.7	2.50	63.5



Technical Specifications (typical)			
Model No.	550F	550D	550G
Frequency Band (GHz)	90.0–140.0	110.0–170.0	140.0–220.0
Absolute Accuracy (%)	0.5	0.5	0.7
VSWR MAX. ¹	1.20	1.20	1.20
Insertion Loss (dB) Typical	0.5	0.6	0.8
Dip at Resonance (dB)	0.3–1.0	0.3–1.0	0.3–1.0
Weight (oz)	3.0	2.5	2.5

Ordering Information



OTHER FREQUENCY BANDS AND CUSTOM CONFIGURATIONS AVAILABLE.

WR-28, 22, 15, 12 and 10