



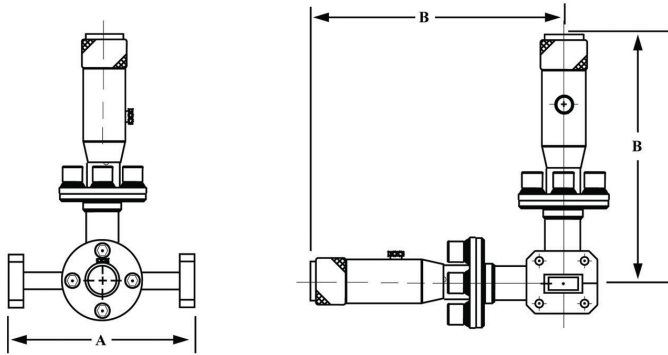
Description

Mi-Wave's 620 Series E/H Plane Tuners are hybrid tee sections available in standard waveguide sizes for operation from 12.4 to 325 GHz. The devices feature micrometer-driven tunable shorts in both the E-plane and H-plane arms for accurate tuning and reproducing settings. The internal short circuits are non-contacting, choke-type plungers that provide a highly stable electrical short. Locking devices ensure continued setting reliability under all normal conditions of test bench shock and vibration. The shorts travel a minimum of one-half wavelength at the lowest frequency.

- *Micrometer Driven*
- *Non-contacting Choke-type Short Circuits*

Applications

The 620 Series Tuners are excellent millimeter wave impedance matching networks designed to provide the reliable mismatch control required in most experimental and developmental test applications. These tuners introduce discontinuities into the waveguide transmission line for simultaneous control of both phase and amplitude of the RF reflection coefficient. They can be used as matching devices to cancel reflection in transmission lines or to match detectors, terminations, and similar components.



Consult with MI-wave for current outline dimensions

Dimensional Specifications					
Model No.	A		B		Weight (oz)
	in.	mm	in.	mm	
620Ku	2.50	63.5	5.78	146.81	12
620K	2.50	63.5	4.86	123.44	10
620A	2.50	63.5	2.95	74.93	9.5
620B	2.50	63.5	2.92	74.17	9.0
620U	2.50	63.5	2.90	73.66	7.0
620V	2.00	50.8	2.28	57.91	3.5
620E	2.00	50.8	2.26	57.40	2.0
620W	2.00	50.8	2.25	57.15	2.0
620F	1.50	38.1	2.12	53.8	1.5
620D	1.50	38.1	2.12	53.8	1.5
620G	1.50	38.1	2.12	53.8	1.3

Ordering Information

