

### Description

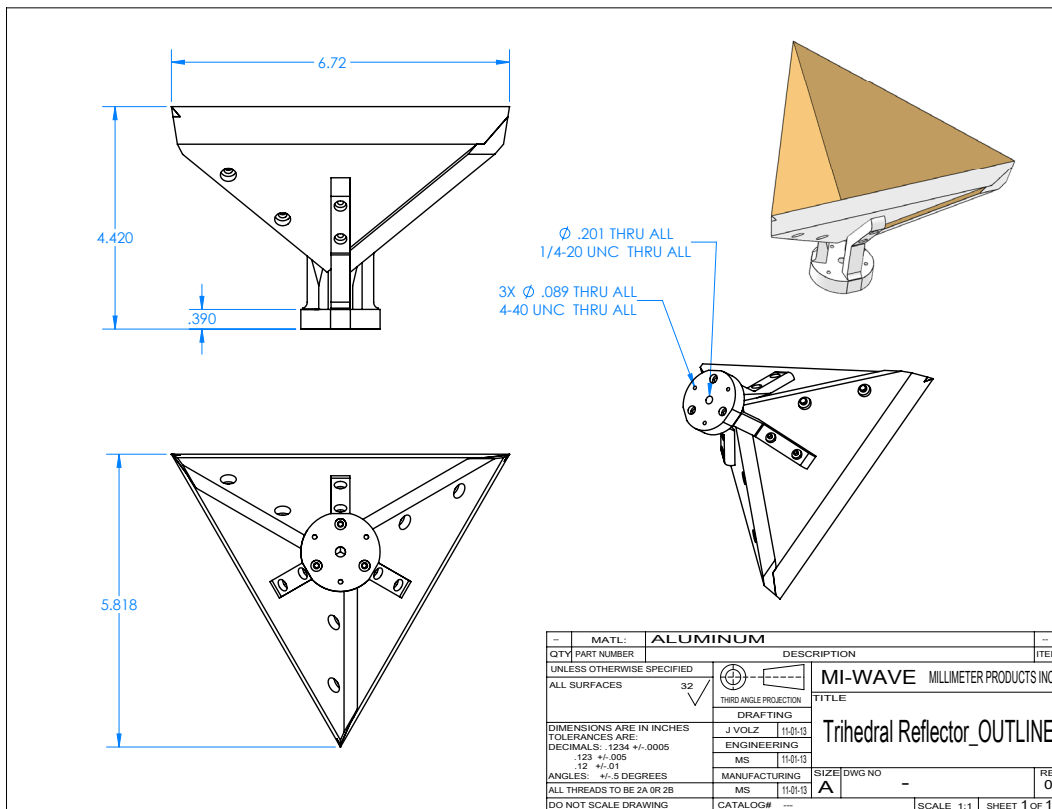
Mi-Wave's 770 Trihedral antennas consists of a circular scalar feed horn illuminating a piano-convex lens. The trihedral reflector simulates radar target precisely and is widely used for Radar system calibration.

The 770 Series antennas are available from 8 to 260 GHz in standard sizes of 3, 6, 9, 12, 24 inch configurations. We can manufacture to any custom size or specification, please consult Mi-Wave for further information.

- 8.4 to 260Ghz Available
- Low Cost
- High Directivity and Gain
- Simple Mechanical Performance
- Wide Range of Available Beamwidths and Reflector Sizes

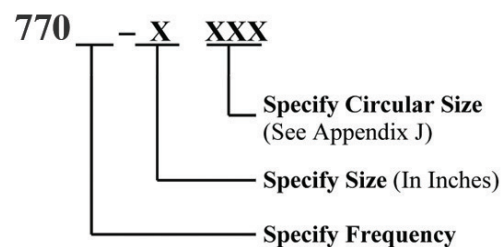
### Applications

Radars, Test Chambers, Surveillance Equipment, and Communication Systems



Consult for current outline dimensions

### Ordering Information



Typical Electrical Specifications	
Frequency	8.4 to 260 GHz
Sizes	1.4 inch to 24inch edge lengths
Finish	Gold, aluminum

#### PLEASE NOTE:

- Final dimensions are subject to variations from the tabulated data due to tuning, focusing, and mechanical tolerances.