

### Description

Mi-Wave's 911 Series PIN Diode or MMIC switch is a SPST (912 Series is SPDT) reflective switch that combines low loss, high isolation performance with an tegera TTL driver in a compact package. Various driver options are available in higher isolation versions up to 60 dB. These switches can also be supplied without drivers. For higher speed applications, the 911 Series Switches feature an excellent on/off ratio and a 10% bandwidth. Integral drivers are standard with various driver options available.

- *Series 911 Single Throw Switches (SPST) - 10% Bandwidth*

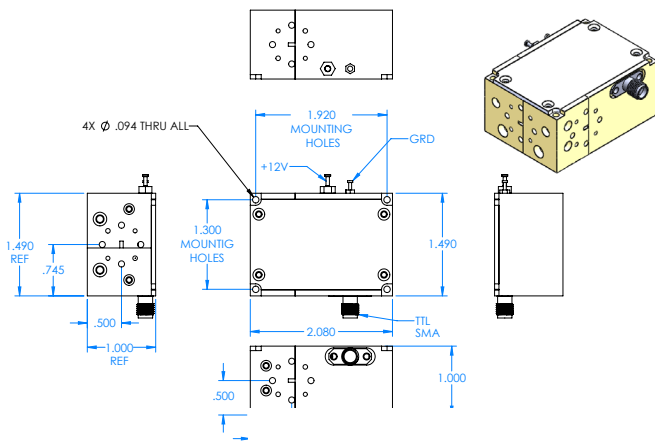
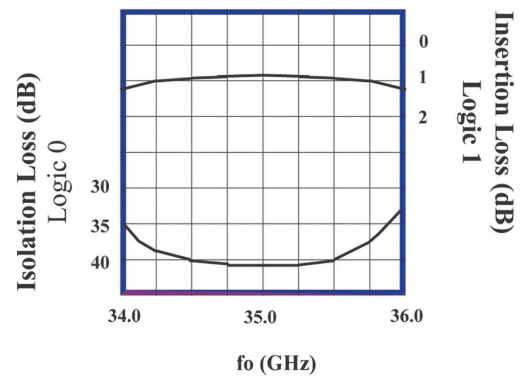
### Applications

Both series and PIN switches can be used for a variety of applications including wave shaping, duplexing, pulse modulation, signal switching, and receiver protection.

Operating Specifications	
Control Input	TTL
DC Power	+5/-12 Vdc *
With Driver	+100/-10 mA
Operating Temperature	0 C to +50 C
Storage Temperature	-10 C to +60 C
VSWR	1.5 Typical (Low Loss Condition)

\* -12Vdc on certain models

### Technical Specifications



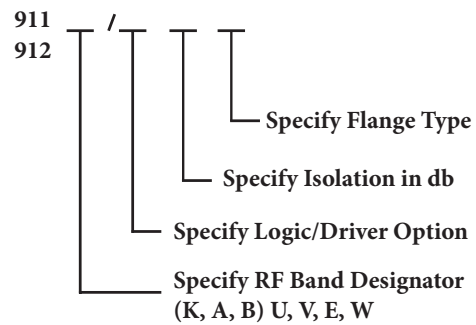
#### NOTE:

Please consult Mi-Wave for current outline dimensions and insertion loss versus isolation specifications.

For A, B and U bands customer please consult Mi-wave.

For Coaxial Switches please consult Mi-wave.

### Ordering Information



Please specify center frequency at time of order.