

Description

Use MI-Wave's multithrow PIN Switches for a variety of applications that require multiple throws and/or custom switch configuration. These Switches offer low insertion loss and a wide bandwidth of operation for a isolation level. Waveguide and coaxial versions are available depending on the operating frequency. These switches are ideally suited for signal attenuation and switching for receiver protection, antenna switching, test and measurement sets and transreceivers. Switch drivers that accepts TTL signals may be incorporated in these switches as an optional feature.

- Series 911 Single Throw Switches (SPST) - 10% Bandwidth

Applications

PIN switches can be used for a variety of applications including wave shaping, duplexing, pulse modulation, signal switching, and receiver protection.

Operating Specifications

Configurations	SP3T to SP8T
Insertion Loss	1 - 6dB depending on configuration & freq.*
Frequency Range	8 - 110GHz
Switching Speed	1 - 50ns
Isolation	20 db to 60db

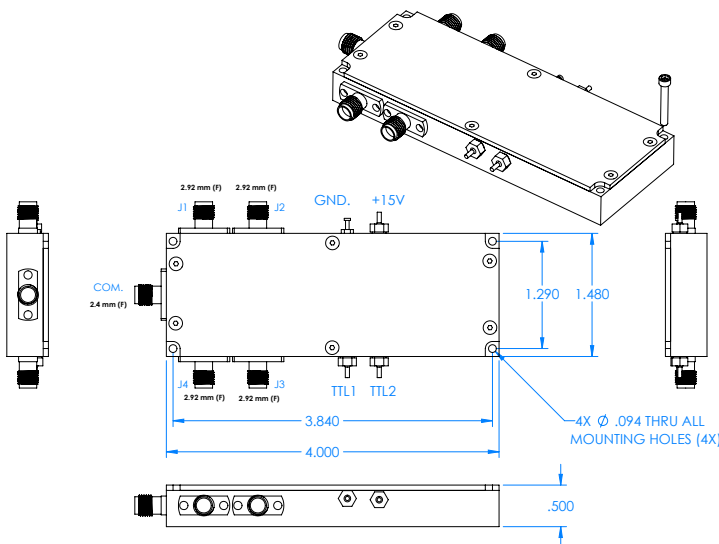
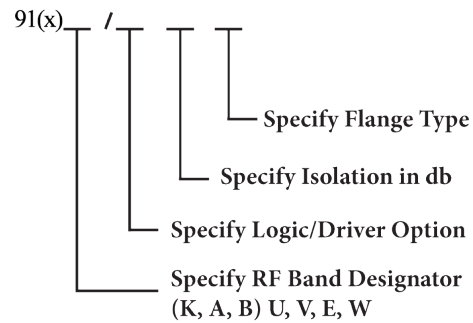
NOTE:

Please consult Mi-Wave for current outline dimensions and insertion loss versus isolation specifications.

For A, B and U bands customer please consult Mi-wave.

For Coaxial Switches please consult Mi-wave.

Ordering Information



9112A-28.75/60/KF