



## Description

Mi-Wave's 955 Series microwave and millimeter wave amplifiers offer a wide variety of frequency ranges, bandwidths, gain and power outputs.

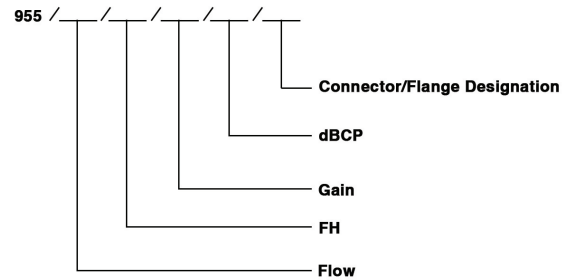
Low cost production designs to meet the demanding needs of communications are also now available.

Please consult Mi-Wave for technical specifications and outline drawings.

- High Gain
- Full Bandwidths
- High 1 db Comp. Points
- Wide Variety of Frequency Ranges
- 8 GHz to 140 GHz

Technical Specifications (typical)					
Freq. Min. (GHz)	Freq. Max (GHz)	Gain	Psat (dBm)	Bias	I/O
18	26.5	25 dB	+28 dBm	2:1	K (F)
18	26.5	25 dB	+28 dBm	2:1	WR42 Waveguide
18	40	30 dB	+20 dBm	2:1	K (F)
23	35	19 dB	+28 dBm	2:1	K (F)
23	35	19 dB	+28 dBm	2:1	WR28 Waveguide
27	34	40 dB	+40 dBm	2:1	2.4mm (F)
27	34	40 dB	+40 dBm	2:1	WR28 Waveguide
26.5	40	30 dB	+31 dBm	2:1	K (F)
26.5	40	30 dB	+31 dBm	2:1	WR28 Waveguide
31	38	40 dB	+34 dBm	2:1	K (F)
31	38	40 dB	+34 dBm	2:1	WR28 Waveguide
33	50	30 dB	+18 dBm	2:1	2.4mm (F)
33	50	30 dB	+18 dBm	2:1	WR22 Waveguide
33	40	35 dB	+25 dBm	2:1	K (F)
33	40	35 dB	+25 dBm	2:1	WR22 Waveguide
35	48	45 dB	+27 dBm	2:1	2.4mm (F)
35	48	45 dB	+27 dBm	2:1	WR22 Waveguide
43	46	30 dB	+33 dBm	2:1	2.4mm (F)
43	46	30 dB	+33 dBm	2:1	WR22 Waveguide
50	70	28 dB	+15 dBm	2:1	WR15 Waveguide
40	60	25 dB	+20 dBm	2:1	WR19 Waveguide
50	68	35 dB	+18 dBm	2:1	V (F)
50	68	35 dB	+18 dBm	2:1	WR15 Waveguide
55	65	30 dB	+22 dBm	2:1	V (F)
55	65	30 dB	+22 dBm	2:1	WR15 Waveguide
60	90	30 dB	+15 dBm	2:1	WR12 Waveguide
71	76	25 dB	+26 dB	2:1	WR12 Waveguide
71	86	30 dB	+16 dB	2:1	WR12 Waveguide
76	81	25 dB	+25 dB	3:1	WR12 Waveguide
81	86	30 dB	+26 dB	2:1	WR12 Waveguide
90	95	11 dB	+24 dBm	2:1	WR10 Waveguide
70	95	12 dB	+16 dBm	3:1	WR10 Waveguide
90	100	30 db	+15 dBm	2:1	WR10 Waveguide
92	96	30 dB	+30 dBm	3:1	WR10 Waveguide

## Ordering Information



Other Bandwidths, Gain, and dBCP available.

Consult Mi-Wave for more specification needs.

Reference Outline Drawings on Page 100

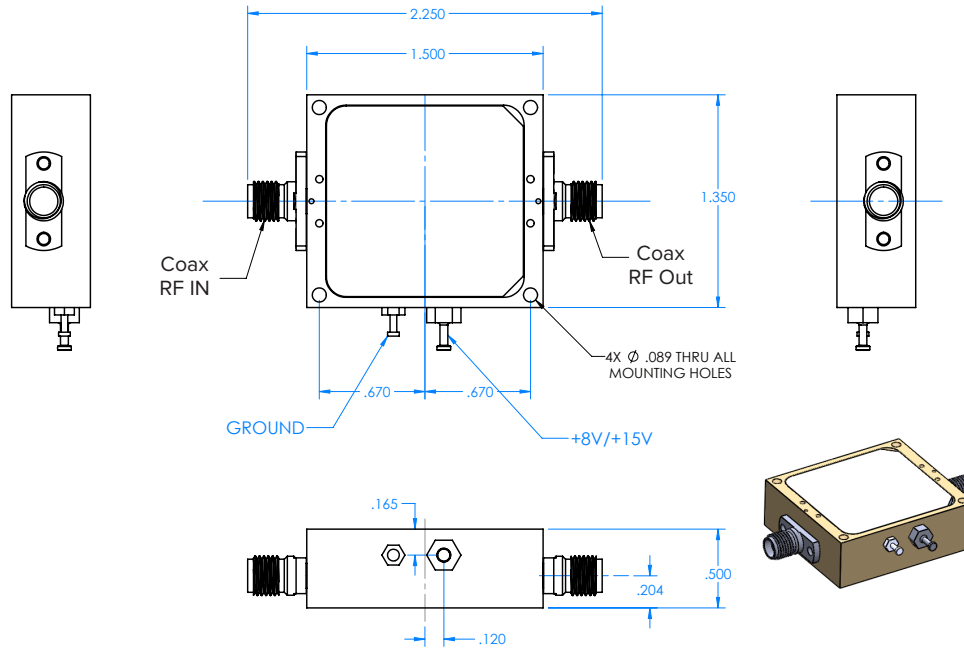
**955A 27-33GHz, 10Watt Power Amplifier**

Millimeter Wave Products Inc. has begun manufacturing it's latest line of amplifiers for the 5G industry. We can push to higher levels of power also!

- Frequency 27-34GHz
- Small Signal Gain 40dB typ
- Output Power (Psat) +41.5dBm typ
- Input Drive Level +5dBm typ
- Input/Output Return Loss (dB) 2.0 :1
- Bias Voltage 100 to 230 VAC 50 to 60 Hz
- Maximum RF Input Power +15dBm max



955ABU-coax-coax



955A\_INLINE\_OUTLINE

