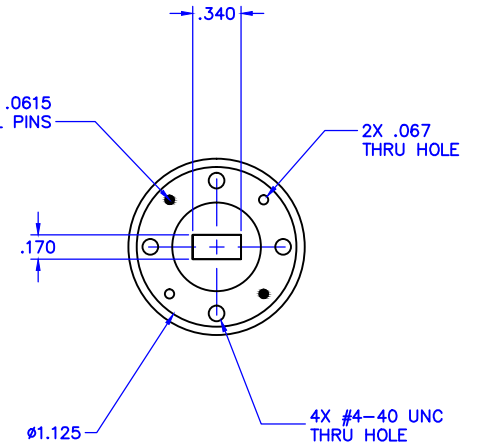
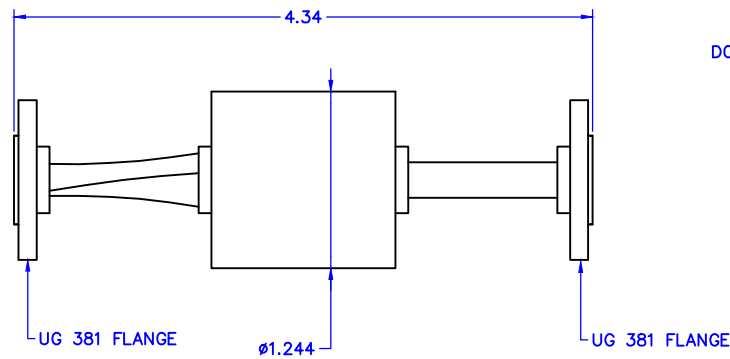
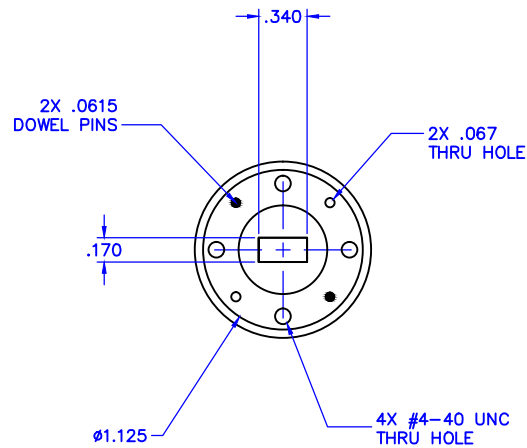


REVISIONS			
REV	DESCRIPTION	DATE	APPROVED
--	--	--	--



ELECTRICAL SPECIFICATIONS:
 INSERTION LOSS: 1.2 dB NOM
 ISOLATION: 25 dB
 NOM
 VSWR:
 1.30:1

--		--		OUTLINE		--	
QTY	PART NUMBER	DESCRIPTION		ITEM			
UNLESS OTHERWISE SPECIFIED		 THIRD ANGLE PROJECTION		Mi-Wave Millimeter Products Inc.			
ALL SURFACES $\sqrt{32}$				TITLE		115(WR-34)/381	
DIMENSIONS ARE IN INCHES		DRAFTING: MRN		APPROVED: M.S.			
TOLERANCES ARE:		DATE: 2/22/2012		SIZE		DWG NO	
DECIMALS: .1234 +/- .0005		SHEET NO.		OF		21712	
.123 +/- .005		1		1			
.12 +/- .01		REF DWG#:					
ANGLES: +/- .5 DEGREES							
ALL THREADS TO BE 2A OR 2B							