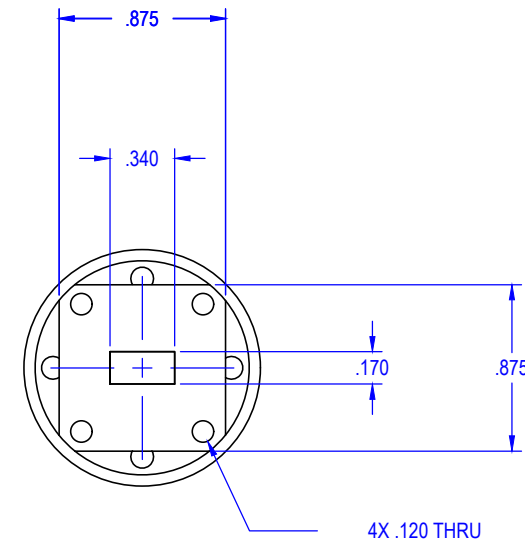
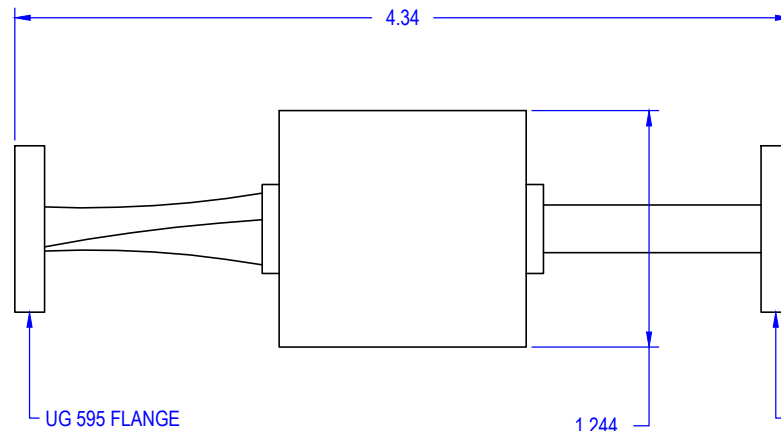
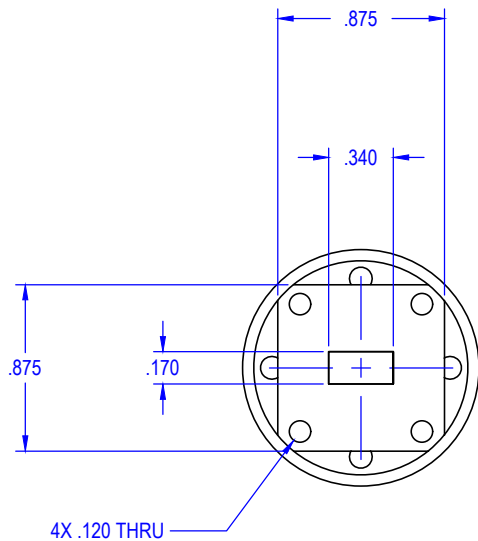


REVISIONS			
REV	DESCRIPTION	DATE	APPROVED
--	--	--	--



ELECTRICAL SPECIFICATIONS:  
 INSERTION LOSS: 1.2 dB NOM  
 ISOLATION: 25 dB NOM  
 VSWR: 1.30:1

QTY	PART NUMBER	OUTLINE		DESCRIPTION	ITEM
UNLESS OTHERWISE SPECIFIED		 THIRD ANGLE PROJECTION		Mi-Wave Millimeter Products Inc.  <b>115(WR-34)/595</b> <b>OUTLINE</b>	
ALL SURFACES	32 ✓				
DIMENSIONS ARE IN INCHES TOLERANCES ARE: DECIMALS: .123 +/- .0005 .123 +/- .005 .12 +/- .01 ANGLES: +/- .5 DEGREES		DRAFTING: MRN APPROVED: M.S. DATE: 11/21/2011		TITLE	
ALL THREADS TO BE 2A OR 2B	SHEET NO.	OF	SIZE	DWG NO	
REF DWG#: --	1	1	A	21517	