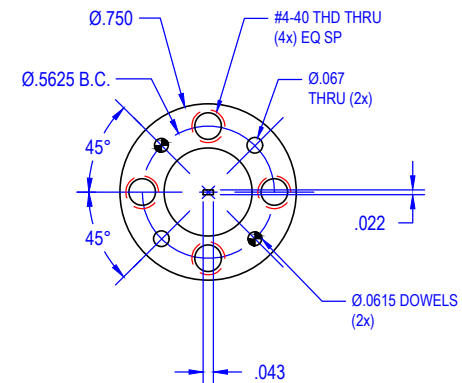
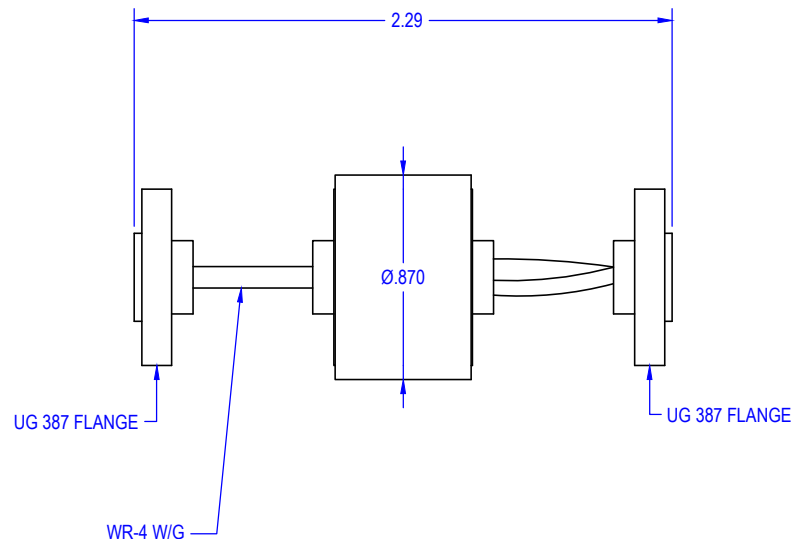
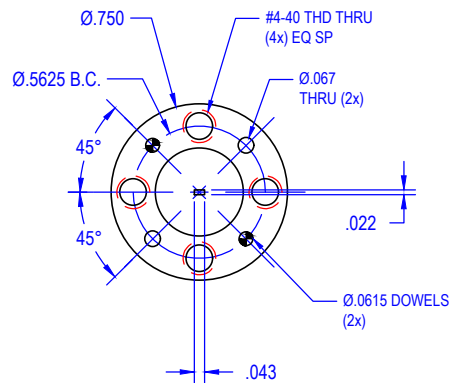


REVISIONS			
REV	DESCRIPTION	DATE	APPROVED
--	--	--	--



QTY	PART NUMBER	DESCRIPTION		ITEM	
--	--	OUTLINE		--	
UNLESS OTHERWISE SPECIFIED		 THIRD ANGLE PROJECTION		Mi-Wave Millimeter Products Inc. 115J OUTLINE	
ALL SURFACES $\sqrt{32}$					
DIMENSIONS ARE IN INCHES					
TOLERANCES ARE:					
DECIMALS: .1234 +/- .0005		DRAFTING: MRN		TITLE	
.123 +/- .005		APPROVED: M.S.			
.12 +/- .01		DATE: 3/23/2012			
ANGLES: +/- .5 DEGREES		DATE: 3/23/2012		SIZE A	
ALL THREADS TO BE 2A OR 2B		SHEET NO.	OF		DWG NO
REF DWG# --		1	1		25450