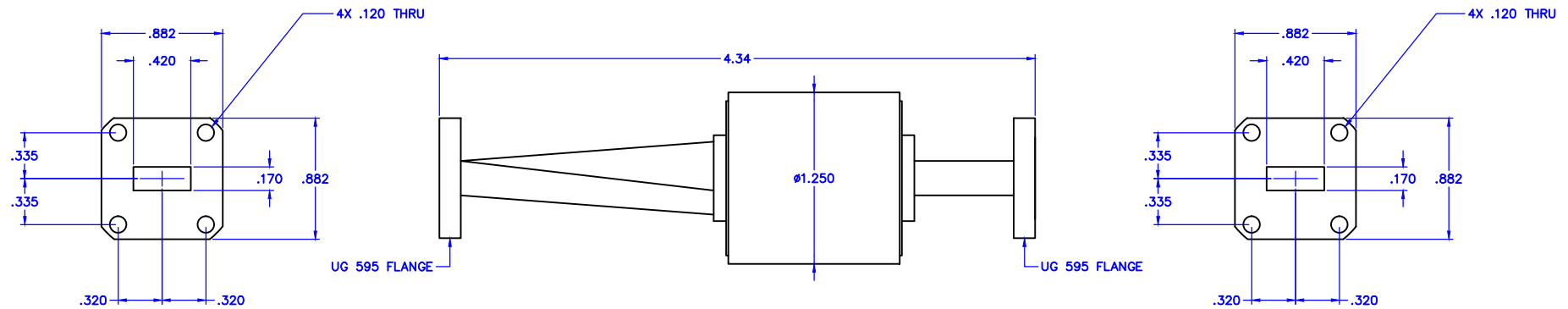


REVISIONS			
REV	DESCRIPTION	DATE	APPROVED
--	--	--	--



---	---	OUTLINE		---
QTY	PART NUMBER	DESCRIPTION		ITEM
UNLESS OTHERWISE SPECIFIED ALL SURFACES $32/\sqrt{\phantom{x}}$			Millimeter Products Inc.	
DIMENSIONS ARE IN INCHES TOLERANCES ARE: DECIMALS: .1234 +/- .0005 .123 +/- .005 .12 +/- .01 ANGLES: +/- .5 DEGREES			TITLE	115K OUTLINE
ALL THREADS TO BE 2A OR 2B		DRAFTING: MRN	DATE: 2/23/2012	SIZE
REF DWG#	---	SHEET NO.	OF	DWG NO
		1	1	A 21717