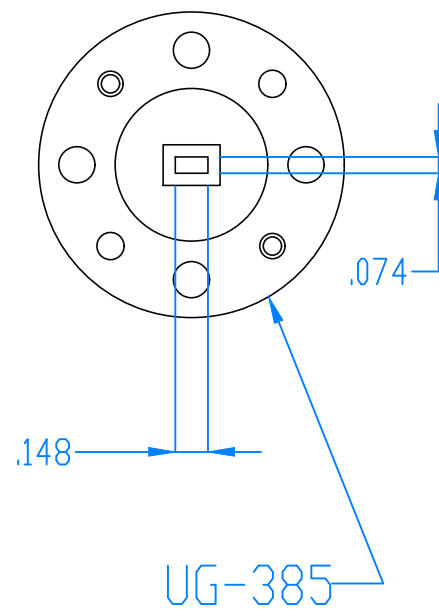
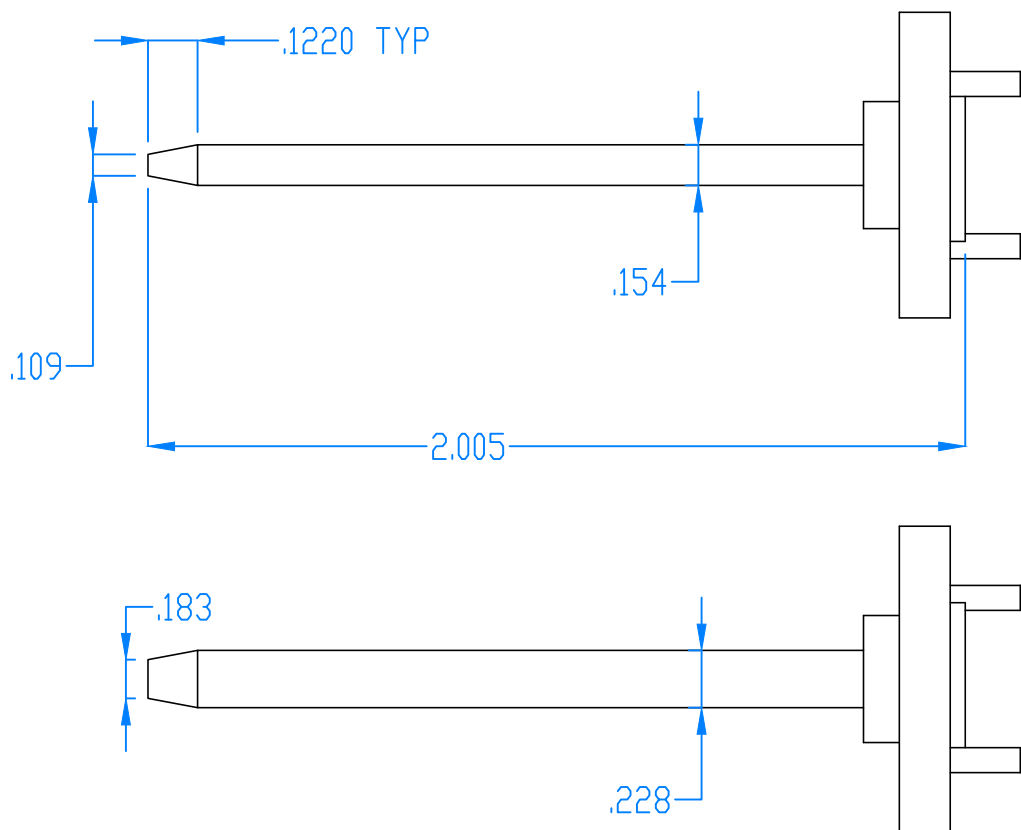
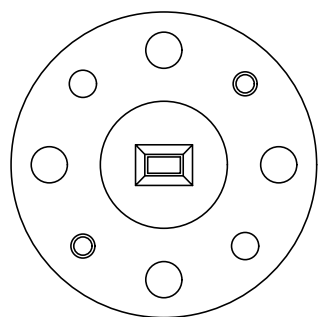
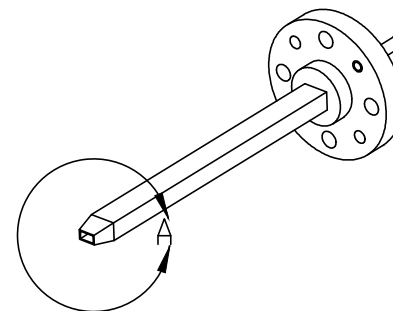


DETAIL A  
SCALE 6 : 1



GAIN: 5dB  
90° - 3dB BEAMWIDTH NOMINAL

DECIMALS: XXXX ±.0005  
XXX ±.005  
XX ±.01  
ANGLES: ± 5 DEGREE

THIRD ANGLE PROJECTION



	NAME	DATE
DRAWN	KS	9-1-15
CHECKED	MS	9-1-15
ENG	MS	9-1-15

MATL:  
-

TITLE: Mi-Wave Millimeter Products Inc.

SIZE DWG. NO. WR-15 ANTENNA PROBE OUTLINE

REV

SCALE: 1:1

WEIGHT:

SHEET 1 OF 1