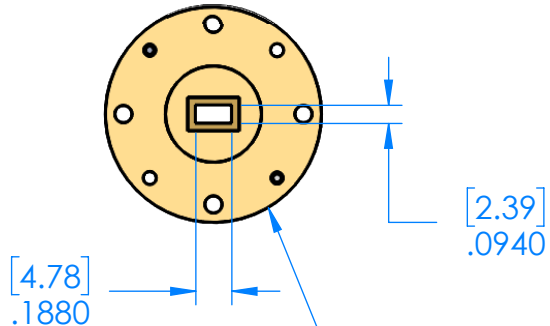
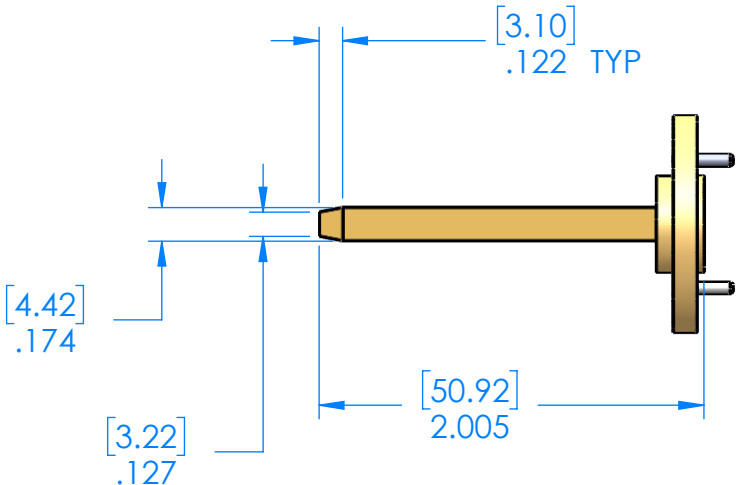
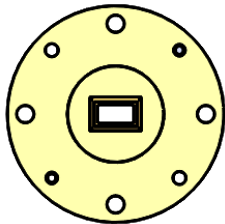
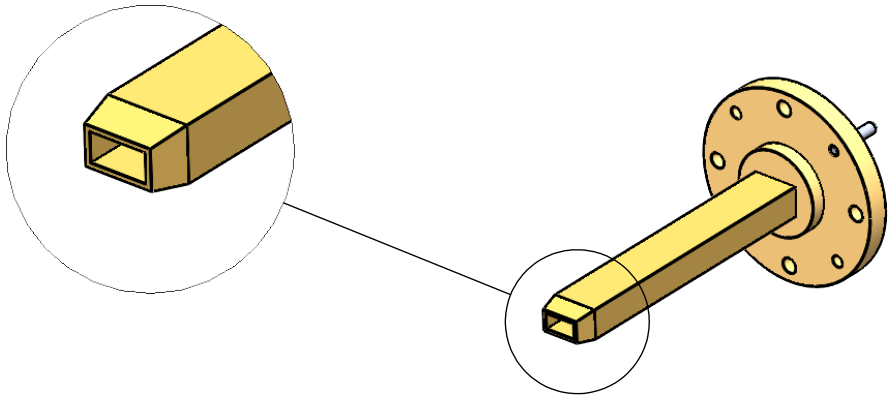
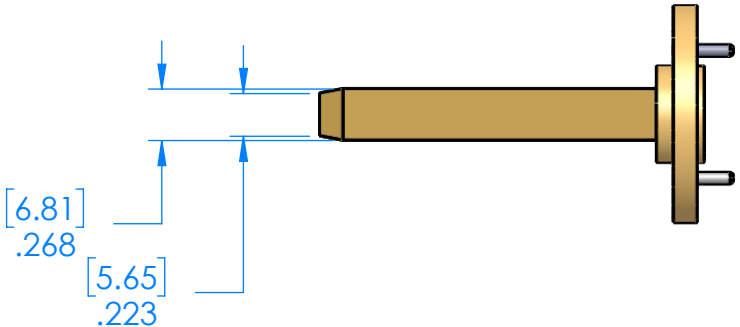


REVISIONS			
REV	DESCRIPTION	DATE	APPROVED
-	-	-	-

DETAIL A
SCALE 2 : 1



UG383



DECIMALS: XXXX ±.0005 XXX ±.005 XX ±.01	NAME	DATE
ANGLES: ± .5 DEGREE	DRAWN JV	10-19-18
THIRD ANGLE PROJECTION	CHECKED MS	10-19-18
	ENG MS	10-19-18
	MATL:	
	1/2 HARD BRASS	

TITLE: Millimeter Wave Products Inc.		REV
SIZE A	DWG. NO. WR-19 PROBE OUTLINE	-
SCALE: 1:1	WEIGHT:	SHEET 1 OF 1