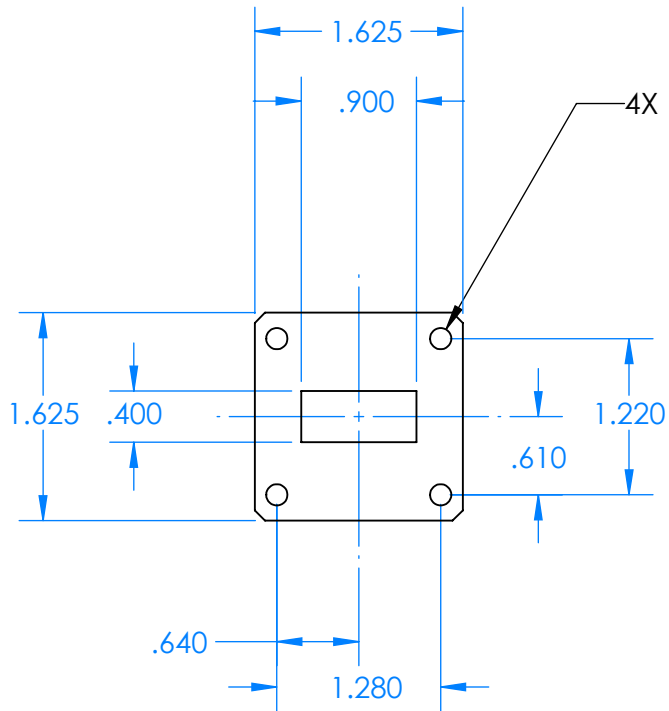
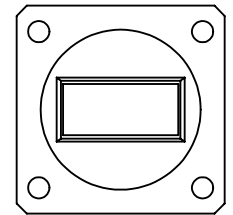
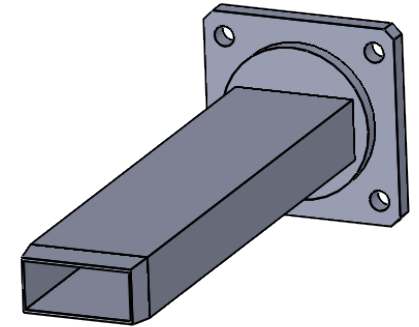
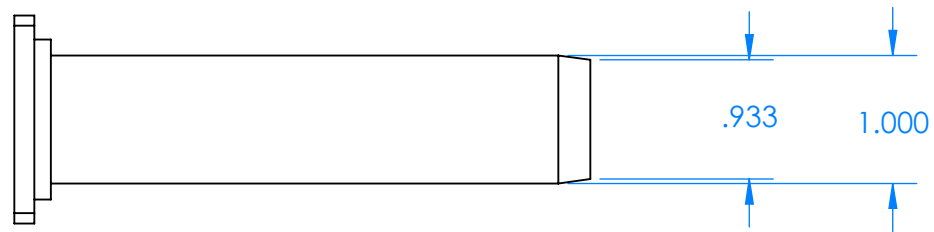
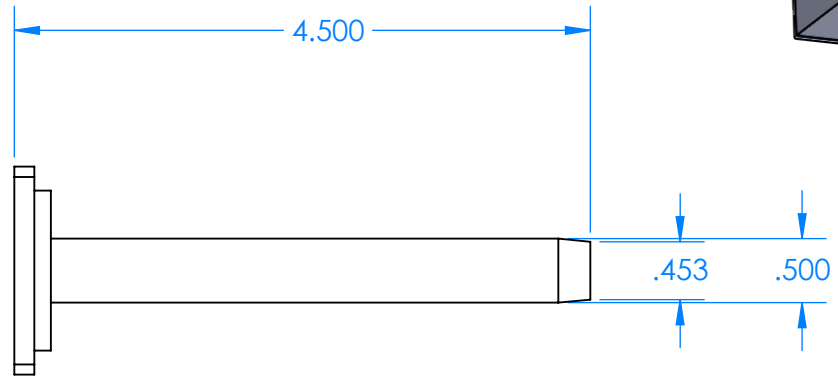


REVISIONS			
REV	DESCRIPTION	DATE	APPROVED
-	-	-	-



4X ϕ .166 THRU



DECIMALS: XXXX \pm .0005 XXX \pm .005 XX \pm .01	DRAWN	CC	7-13-21
ANGLES: \pm .5 DEGREE	CHECKED	MS	7-13-21
THIRD ANGLE PROJECTION	ENG	LS	7-13-21
MATERIAL: 6061 T6 ALUMINUM			

TITLE: Mi-Wave Millimeter Products Inc.		REV
SIZE: A	DWG. NO. WR-90 PROBE OUTLINE	-
SCALE: 2:3	WEIGHT:	SHEET 1 OF 1