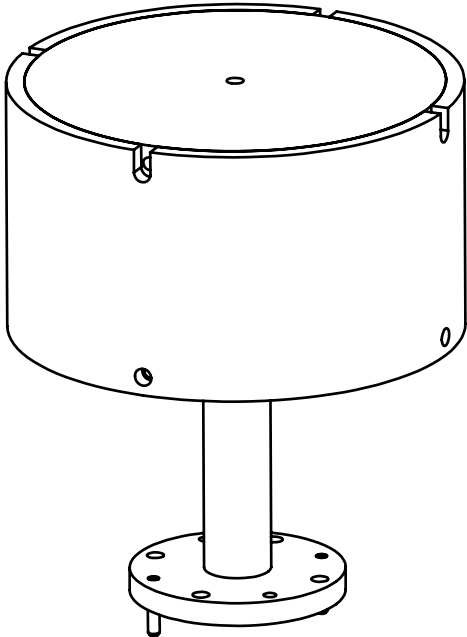
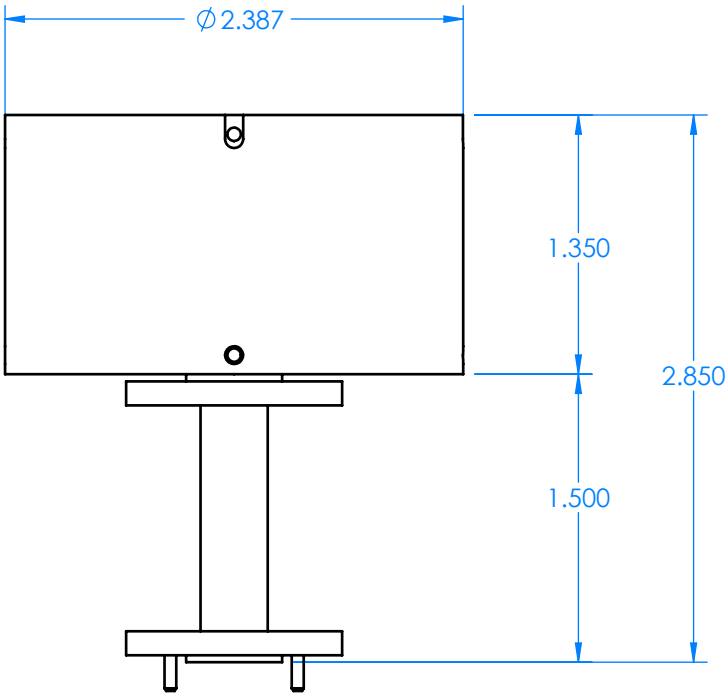
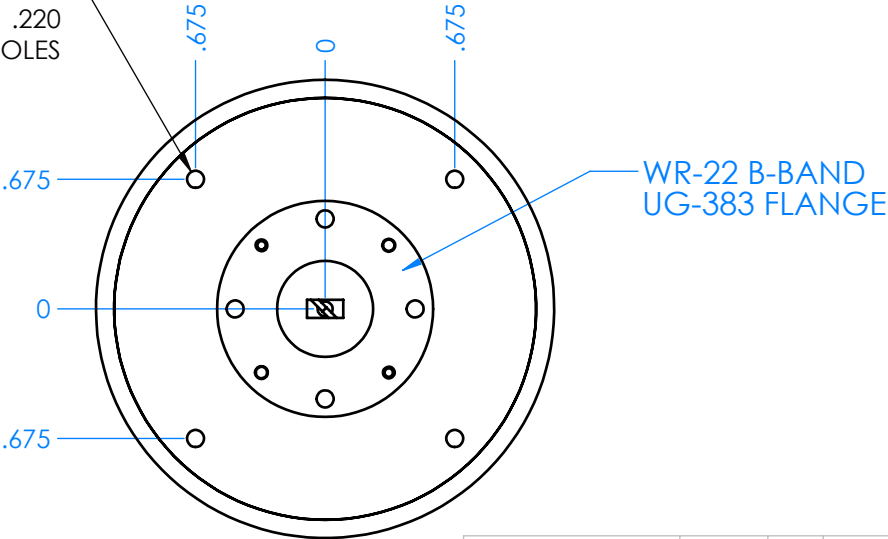


| REVISIONS | | | |
|-----------|-------------|------|----------|
| REV | DESCRIPTION | DATE | APPROVED |
| - | - | - | - |



4X ϕ .089 ∇ .250
 4-40 UNC ∇ .220
 MOUNTING HOLES



ALL DIMENSIONS
 ARE REFERENCE ONLY

| DECIMALS: XXXX \pm .0005 XXX \pm .005 XX \pm .01 | ANGLES: \pm .5 DEGRESS | THIRD ANGLE PROJECTION | MATL: 6061 T6 ALUMINUM | <table border="1"> <tr> <th>NAME</th> <th>DATE</th> </tr> <tr> <td>DRAWN JV</td> <td>8-30-18</td> </tr> <tr> <td>CHECKED MS</td> <td>8-30-18</td> </tr> <tr> <td>ENG MS</td> <td>8-30-18</td> </tr> </table> | NAME | DATE | DRAWN JV | 8-30-18 | CHECKED MS | 8-30-18 | ENG MS | 8-30-18 | TITLE: Mi-Wave Millimeter Products Inc. SIZE DWG. NO. A 267B-383_OUTLINE_25595 SCALE: 1:1 | REV - SHEET 1 OF 1 |
|--|--------------------------|------------------------|----------------------------------|--|------|------|----------|---------|------------|---------|--------|---------|---|------------------------------|
| NAME | DATE | | | | | | | | | | | | | |
| DRAWN JV | 8-30-18 | | | | | | | | | | | | | |
| CHECKED MS | 8-30-18 | | | | | | | | | | | | | |
| ENG MS | 8-30-18 | | | | | | | | | | | | | |
| | | | WEIGHT: | | | | | | | | | | | |