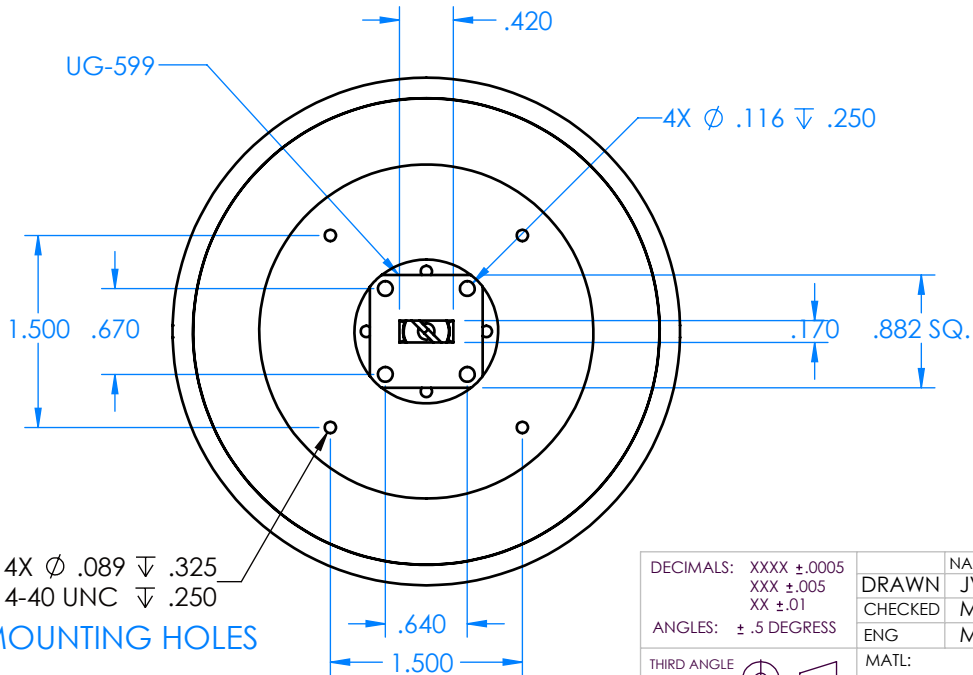
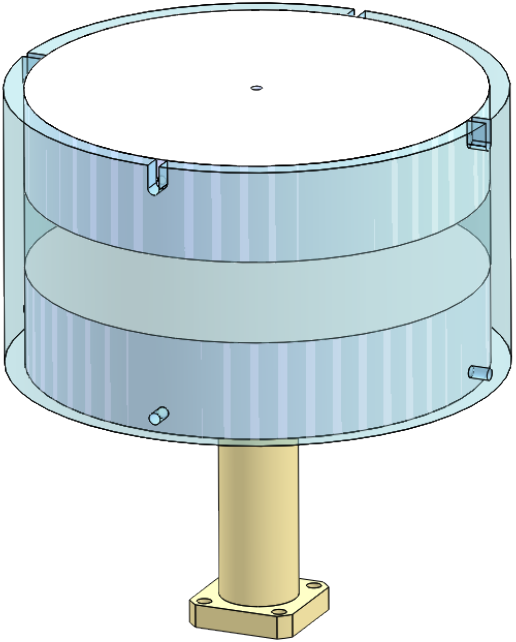
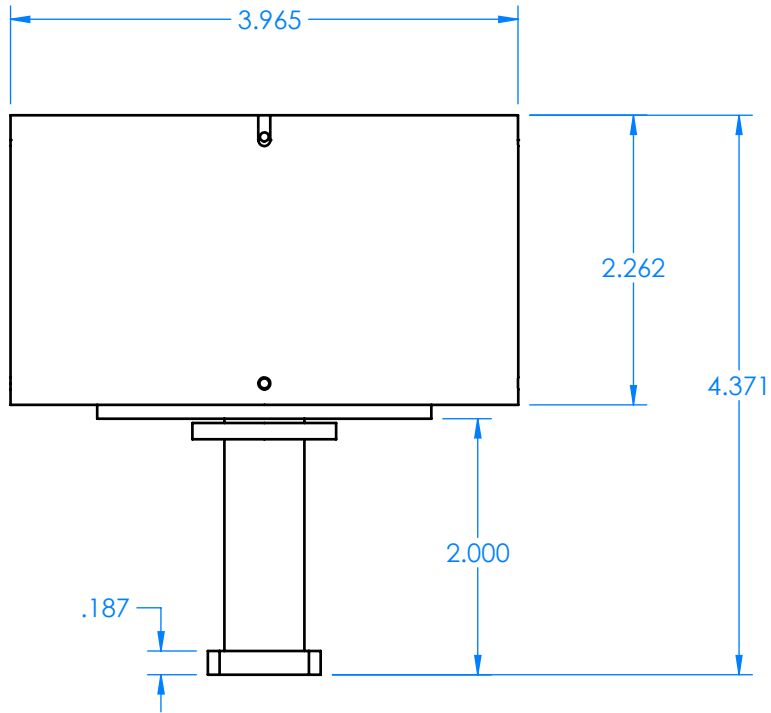


REVISIONS			
REV	DESCRIPTION	DATE	APPROVED
--	--	--	--



4X Ø .089 ± .325  
4-40 UNC ± .250  
MOUNTING HOLES

**FREQUENCY RANGE: 22-26.5GHZ**

DECIMALS: XXXX ±.0005 XXX ±.005 XX ±.01	NAME	DATE
ANGLES: ± .5 DEGRESS	DRAWN	JV 9-5-18
THIRD ANGLE PROJECTION	CHECKED	MS 9-5-18
	ENG	MS 9-5-18
	MATL:	

TITLE: Mi-Wave Millimeter Products Inc.		REV
SIZE: <b>A</b>	DWG. NO. 267K-24.125-595_OUTLINE_24253	
SCALE: 2:3	WEIGHT:	SHEET 1 OF 1