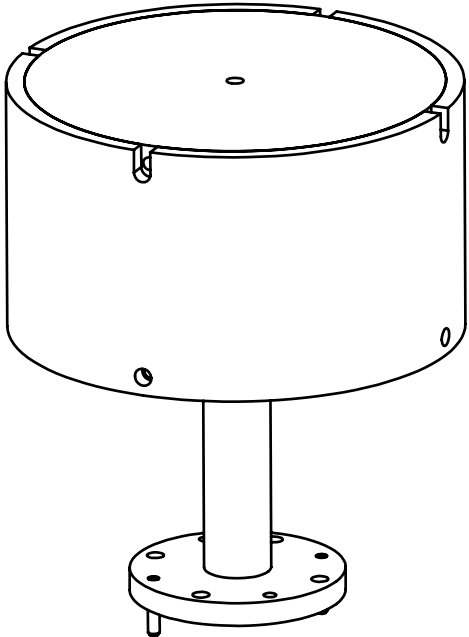
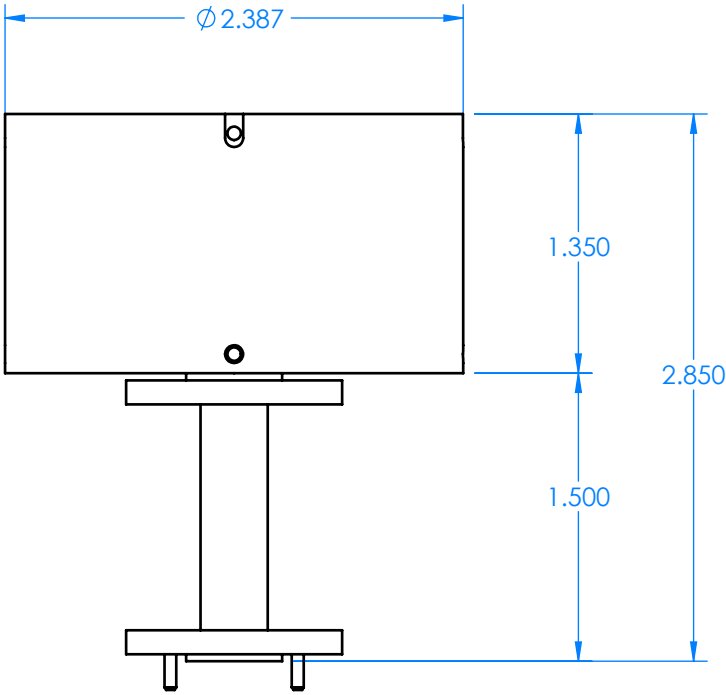
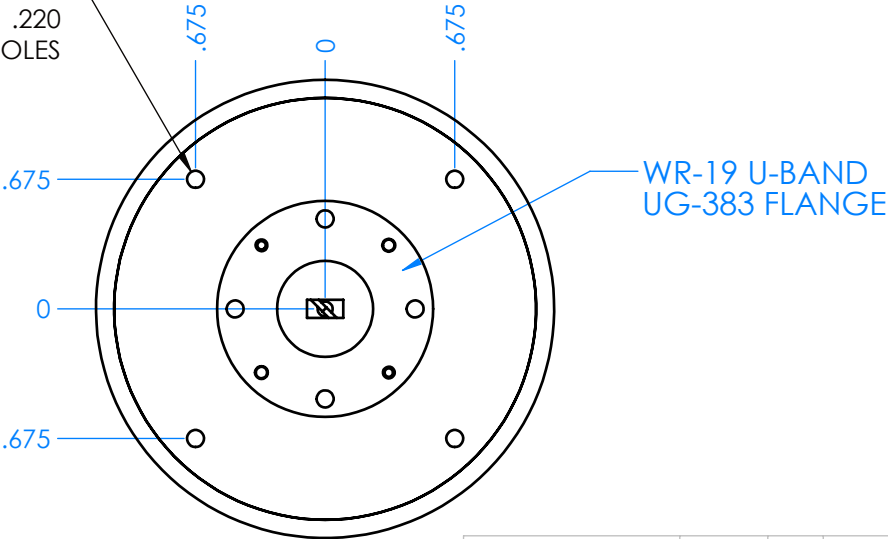


REVISIONS			
REV	DESCRIPTION	DATE	APPROVED
-	-	-	-



4X ϕ .089 ∇ .250
 4-40 UNC ∇ .220
 MOUNTING HOLES



ALL DIMENSIONS
 ARE REFERENCE ONLY

FREQUENCY RANGE: 40-52GHz

DECIMALS: XXXX \pm .0005 XXX \pm .005 XX \pm .01	NAME	DATE
ANGLES: \pm .5 DEGREE	DRAWN	JV 8-30-18
THIRD ANGLE PROJECTION	CHECKED	MS 8-30-18
	ENG	MS 8-30-18
	MATL:	6061 T6 ALUMINUM

TITLE:	Mi-Wave Millimeter Products Inc.	
SIZE	DWG. NO.	REV
A	267U-41.5-383_OUTLINE_24214	-
SCALE: 1:1	WEIGHT:	SHEET 1 OF 1