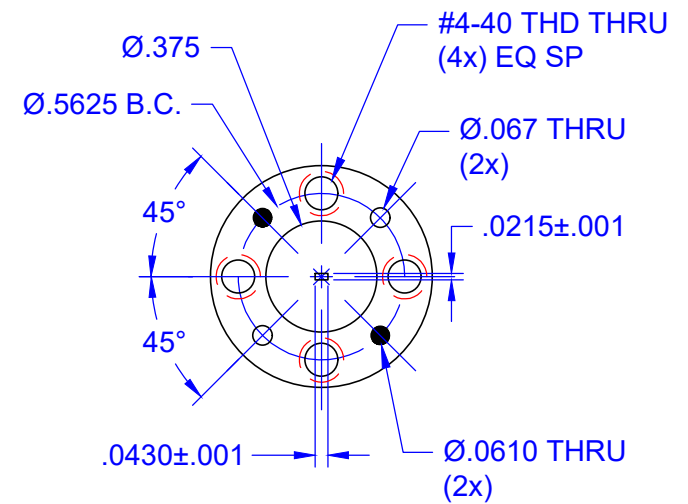
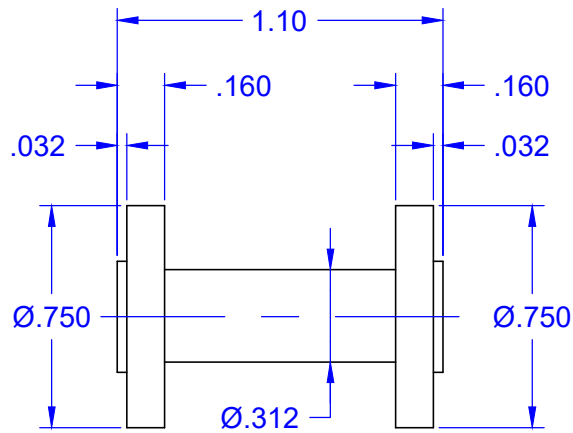
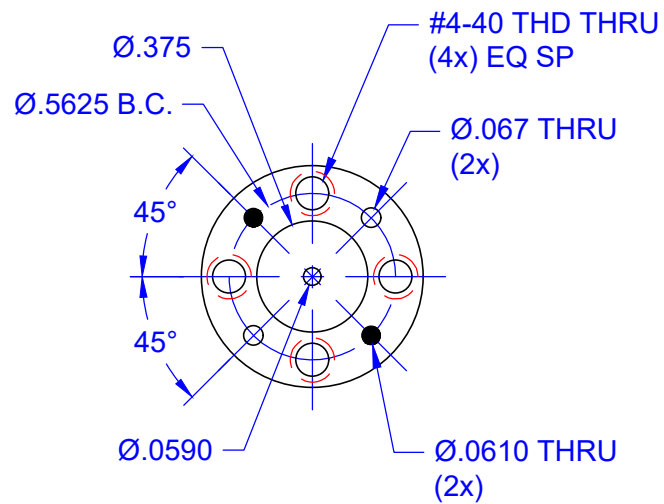


REVISIONS			
REV	DESCRIPTION	DATE	APPROVED
--	--	--	--



--	--	MATERIAL: 1/2 HARD BRASS		--	
QTY	PART NUMBER	DESCRIPTION		ITEM	
UNLESS OTHERWISE SPECIFIED ALL SURFACES $\sqrt{.32}$		 THIRD ANGLE PROJECTION		Mi-Wave Millimeter Products Inc. 284H-.059/387 MACHINE DWG	
DIMENSIONS ARE IN INCHES TOLERANCES ARE: DECIMALS: .1234 +/- .0005 .123 +/- .005 .12 +/- .01 ANGLES: +/- .5 DEGREES					
ALL THREADS TO BE 2A OR 2B					DRAFTING: K.S.
REF DWG# --					APPROVED: M.S.
		SHEET NO.	OF	DATE: 7/18/2016	
		1	1	DATE: 7/18/2016	
		SIZE	DWG NO		
		A	23371		