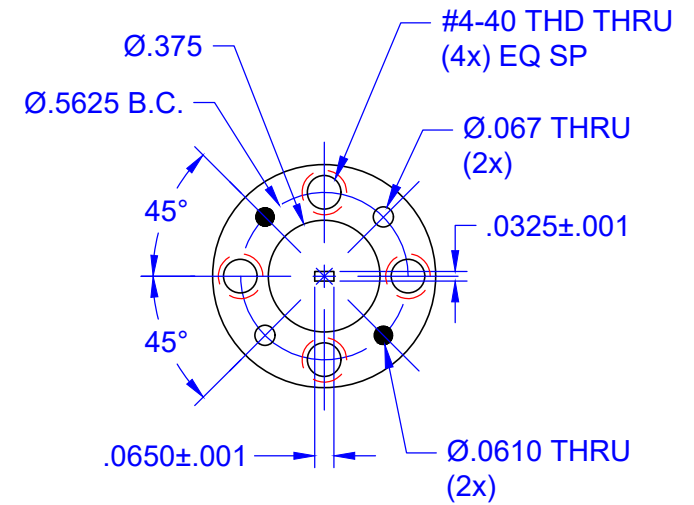
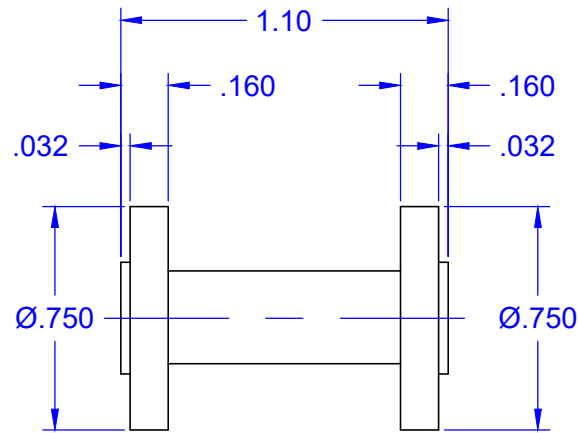
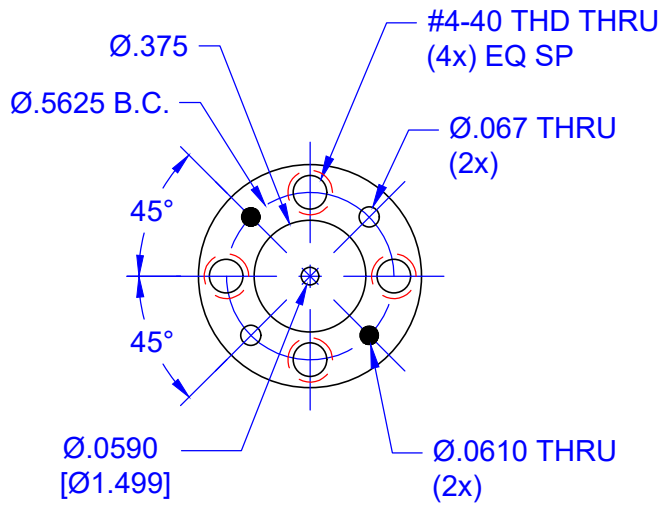


REVISIONS			
REV	DESCRIPTION	DATE	APPROVED
--	--	--	--



FREQUENCY RANGE (GHz)	CIRCULAR WAVEGUIDE PORT DIAMETER (IN.)
140-160	0.059
125-140	0.067
112-125	0.075
100-112	0.082

QTY	PART NUMBER	MATERIAL: 1/2 HARD BRASS		ITEM
--	--	DESCRIPTION		--
UNLESS OTHERWISE SPECIFIED ALL SURFACES $\sqrt{32}$		 THIRD ANGLE PROJECTION		Mi-Wave Millimeter Products Inc. TITLE 284D-387 OUTLINE
DIMENSIONS ARE IN INCHES TOLERANCES ARE: DECIMALS: .1234 +/- .0005 .123 +/- .005 .12 +/- .01 ANGLES: +/- .5 DEGREES				
ALL THREADS TO BE 2A OR 2B		APPROVED: MS	DATE: 6/28/2016	
REF DWG#--		SHEET NO. 1	OF 1	SIZE A
				DWG NO 25875