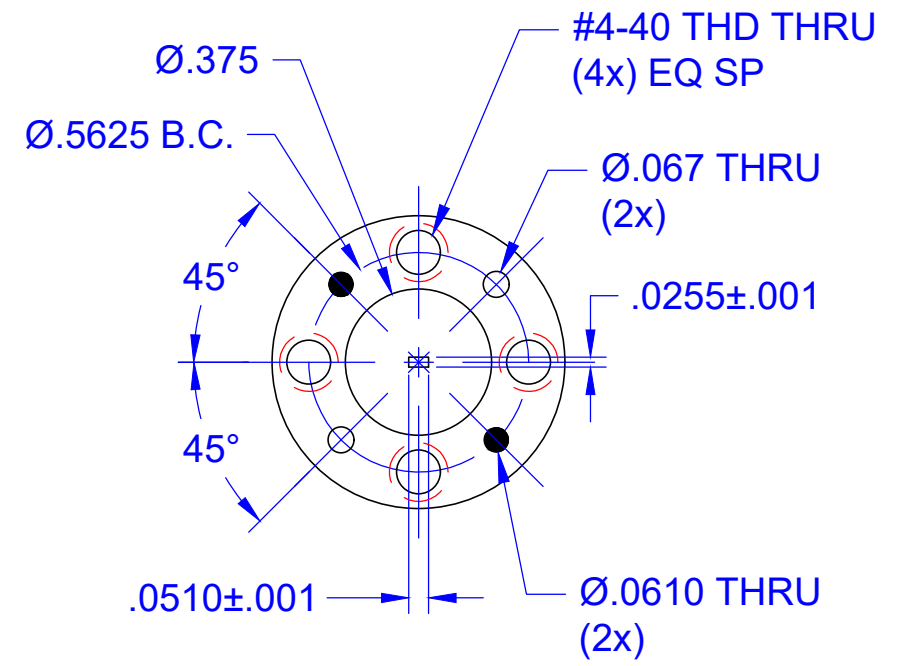
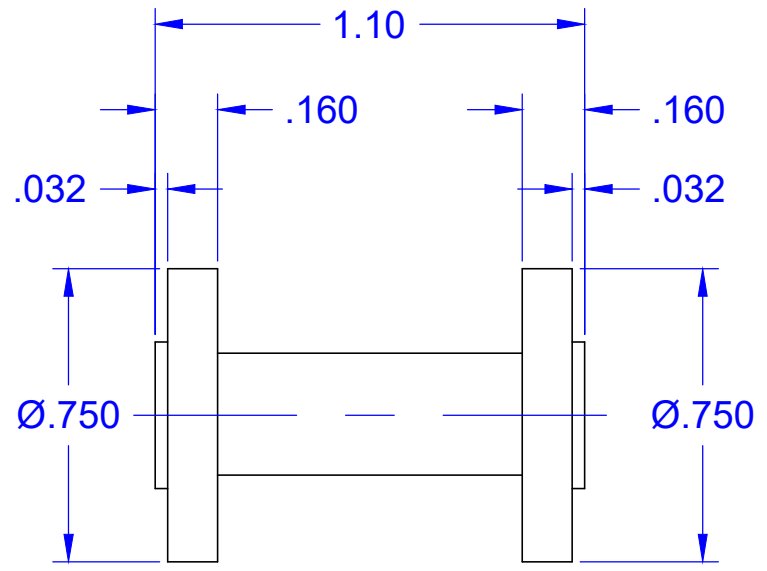
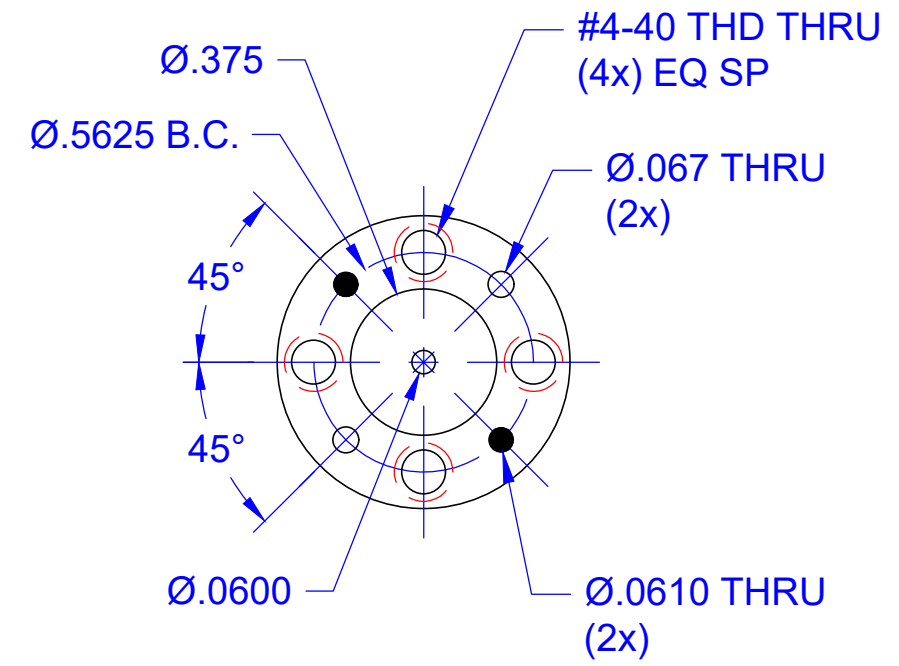
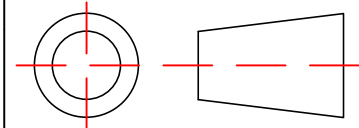


REVISIONS			
REV	DESCRIPTION	DATE	APPROVED
--	--	--	--



FREQUENCY RANGE (GHz)	CIRCULAR WAVEGUIDE PORT DIAMETER (IN.)
140-220	0.059
125-140	0.067

--	--	MATERIAL: 1/2 HARD BRASS		--	
QTY	PART NUMBER	DESCRIPTION		ITEM	
UNLESS OTHERWISE SPECIFIED ALL SURFACES $\sqrt{32}$		 THIRD ANGLE PROJECTION		Mi-Wave Millimeter Products Inc. TITLE <h2 style="text-align: center;">284G-387 OUTLINE</h2>	
DIMENSIONS ARE IN INCHES TOLERANCES ARE: DECIMALS: .1234 +/- .0005 .123 +/- .005 .12 +/- .01 ANGLES: +/- .5 DEGREES		DRAFTING: MRN			
ALL THREADS TO BE 2A OR 2B		APPROVED: JV			
REF DWG# --		DATE: 6/11/2012			
		SHEET NO. 1	OF 1	SIZE A	DWG NO 25882