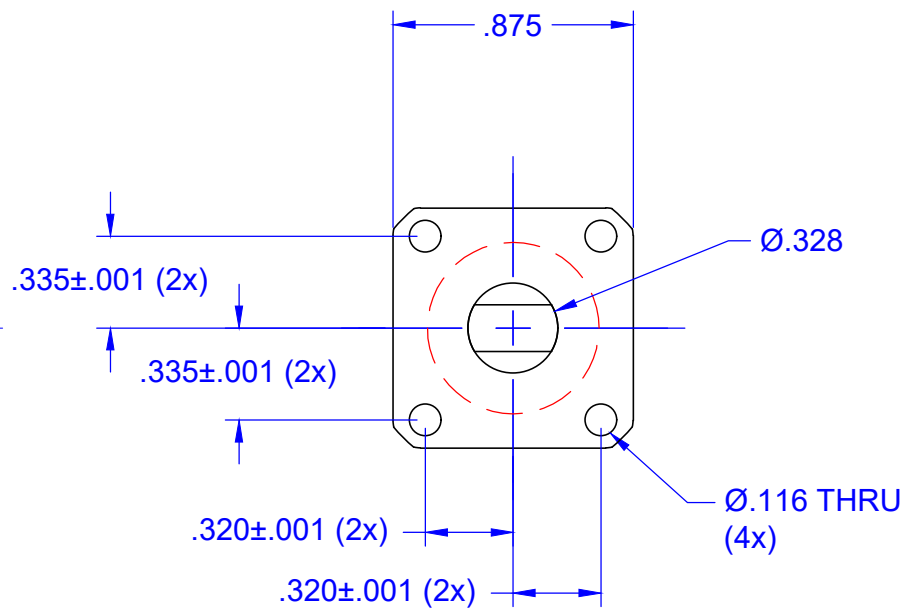
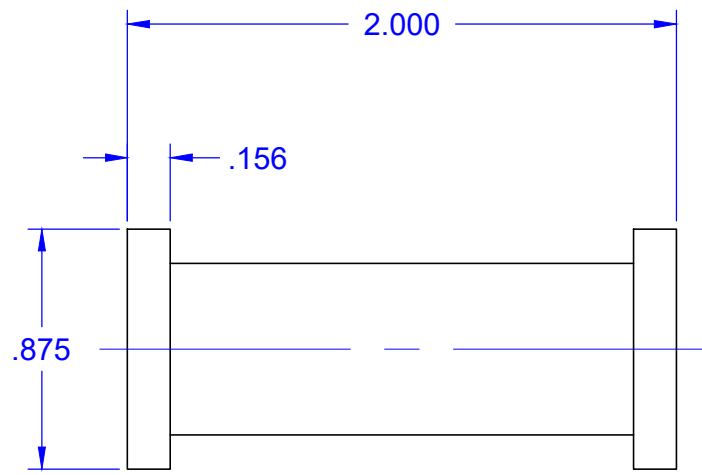
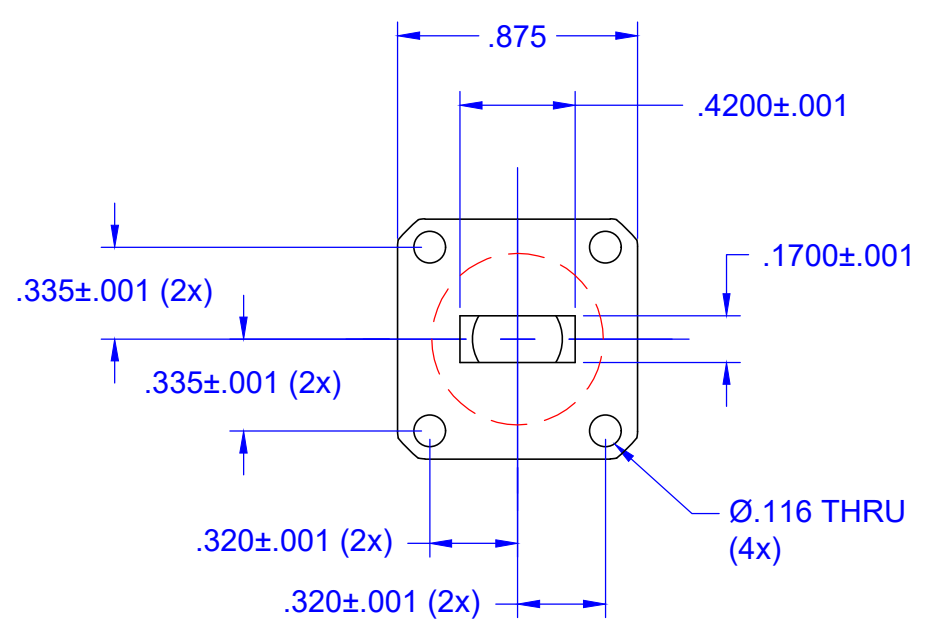


| REVISIONS |             |      |          |
|-----------|-------------|------|----------|
| REV       | DESCRIPTION | DATE | APPROVED |
| --        | --          | --   | --       |



| FREQUENCY RANGE (GHz) | CIRCULAR WAVEGUIDE PORT DIAMETER (IN.) |
|-----------------------|--|
| 24.5 - 26.5           | 0.328                                  |
| 20.5 - 24.5           | 0.396                                  |
| 17.5 - 20.5           | 0.470                                  |

|  |             |                            |                                  |                             |
|--|-------------|----------------------------|----------------------------------|-----------------------------|
| --   | --          | MATERIAL: 1/2 HARD BRASS   |                                  | --                          |
| QTY  | PART NUMBER | DESCRIPTION                |                                  | ITEM                        |
| UNLESS OTHERWISE SPECIFIED<br>ALL SURFACES $\sqrt{32}$   |             | <br>THIRD ANGLE PROJECTION | Mi-Wave Millimeter Products Inc. |                             |
| DIMENSIONS ARE IN INCHES<br>TOLERANCES ARE:<br>DECIMALS: .1234 +/- .0005<br>.123 +/- .005<br>.12 +/- .01<br>ANGLES: +/- .5 DEGREES |             |                            | TITLE                            |                             |
| ALL THREADS TO BE 2A OR 2B   |             | DRAFTING: CC               |                                  | <b>284K-595<br/>OUTLINE</b> |
| REF DWG #: 14285   |             | APPROVED: M.S.             |                                  |                             |
| ORIGINAL DWG# 20277a   |             | DATE: 2-12-21              |                                  |                             |
|  |             | SHEET NO.                  | OF                               | SIZE                        |
|  |             | 1                          | 1                                | A                           |
|  |             | DWG NO                     |                                  | 25883                       |