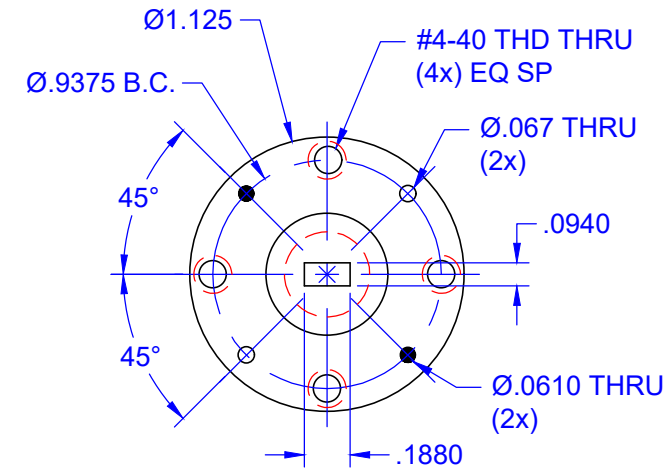
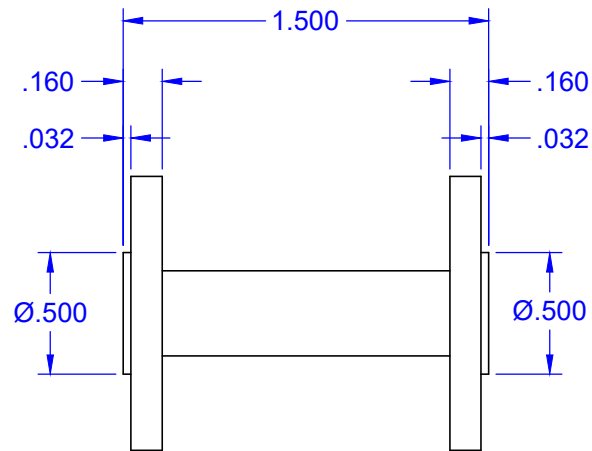
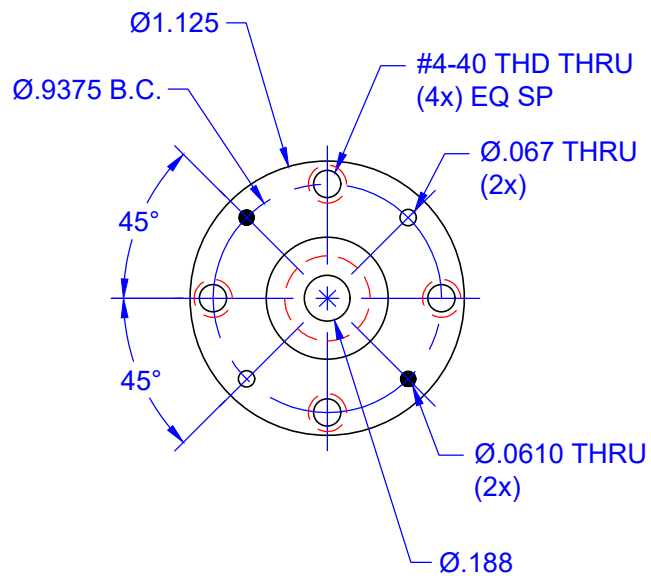
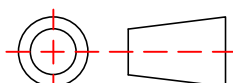


REVISIONS			
REV	DESCRIPTION	DATE	APPROVED
--	--	--	--



FREQUENCY RANGE (GHz)	CIRCULAR WAVEGUIDE PORT DIAMETER (IN.)
50-58	0.165
43-50	0.188
38.5-43	0.219

QTY	PART NUMBER	MATERIAL: 6061-T6 ALUMINUM		DESCRIPTION	ITEM
--	--				
UNLESS OTHERWISE SPECIFIED		 THIRD ANGLE PROJECTION		Mi-Wave Millimeter Products Inc. TITLE <h2 style="text-align: center;">284U-383 OUTLINE</h2>	
ALL SURFACES $\sqrt{32}$					
DIMENSIONS ARE IN INCHES					
TOLERANCES ARE:					
DECIMALS: .1234 +/- .0005		DRAFTING: MRN		SIZE A DWG NO 25862	
.123 +/- .005		APPROVED: M.S.			
.12 +/- .01		DATE: 10/27/2011			
ANGLES: +/- .5 DEGREES		SHEET NO. 1 OF 1			
ALL THREADS TO BE 2A OR 2B					
REF DWG# --					