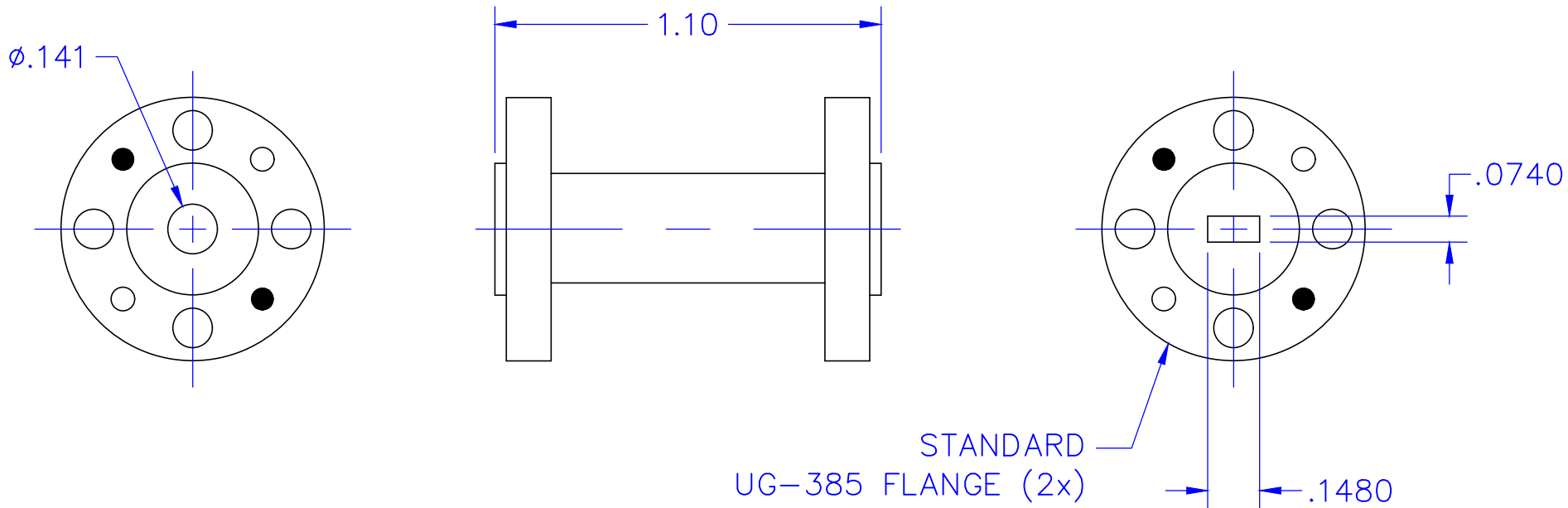


REVISIONS			
REV	DESCRIPTION	DATE	APPROVED
--	--	--	--



FREQUENCY RANGE (GHz)	CIRCULAR WAVEGUIDE PORT DIAMETER (IN.)
68-77	0.125
58-68	0.141
50-58	0.165

QTY	PART NUMBER	OUTLINE DESCRIPTION		ITEM
--	--	Millimeter Products Inc.		--
UNLESS OTHERWISE SPECIFIED ALL SURFACES $32/\sqrt{\quad}$		 THIRD ANGLE PROJECTION		TITLE
DIMENSIONS ARE IN INCHES TOLERANCES ARE:				
DECIMALS: .1234 +/- .0005 .123 +/- .005 .12 +/- .01				
ANGLES: +/- .5 DEGREES		DRAFTING: MRN		284V-385 OUTLINE
ALL THREADS TO BE 2A OR 2B		APPROVED: M.S.		
REF DWG# --		DATE: 6/09/2010		
ORIGINAL DWG# 20162	SHEET NO. 1	OF 1	SIZE A	DWG NO 25861