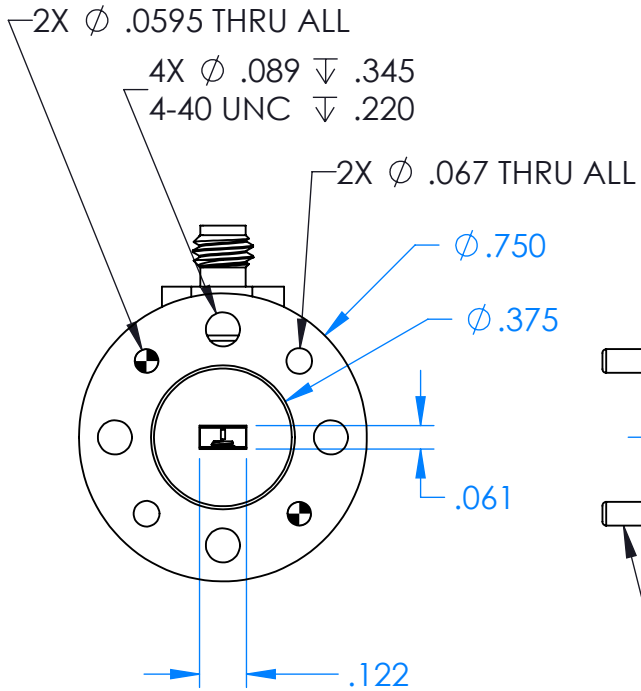
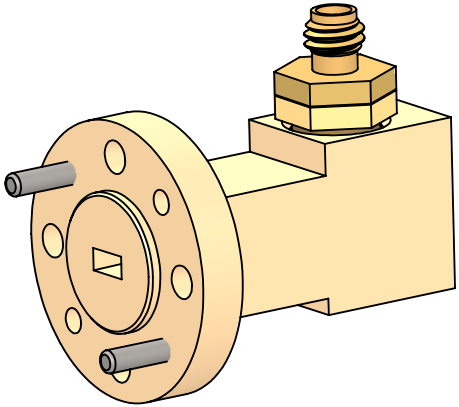
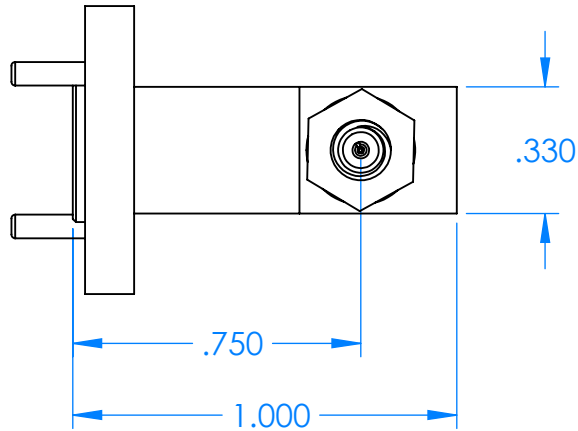
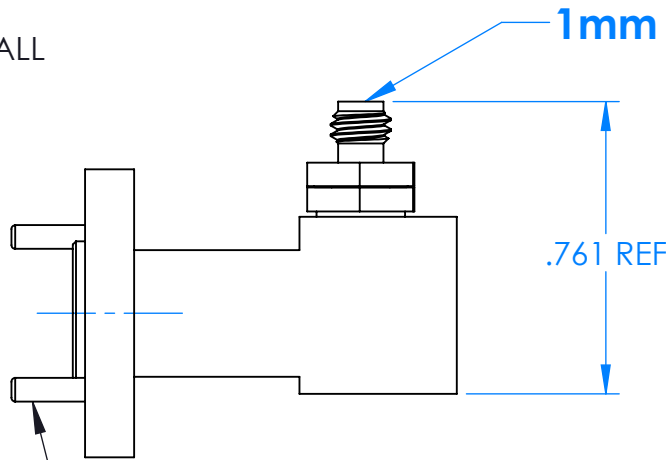


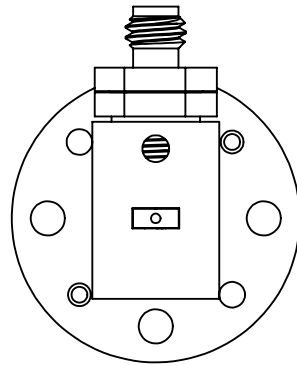
REVISIONS			
REV	DESCRIPTION	DATE	APPROVED
-	-	-	-



UG-387



.0615 DOWELS (2x)



ALL DIMENSIONS
REFERENCE ONLY

DECIMALS: XXXX ±.0005 XXX ±.005 XX ±.01	NAME	DATE
ANGLES: ±.5 DEGREE	DRAWN	JV 5-23-19
THIRD ANGLE PROJECTION	CHECKED	MS 5-23-19
	ENG	LS 5-23-19
	MATL:	

TITLE:	Millimeter Wave Products Inc.		
SIZE	DWG. NO.	REV	
A	410E-387-1mmF_OUTLINE_24735	-	
SCALE: 2:1	WEIGHT:	SHEET 1 OF 1	