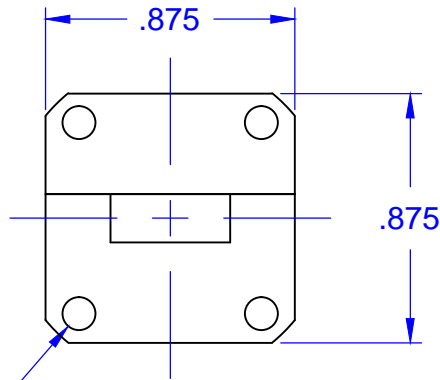
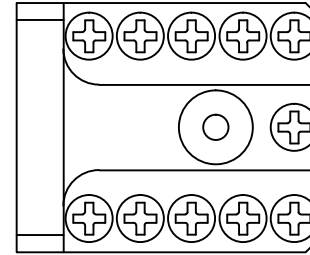
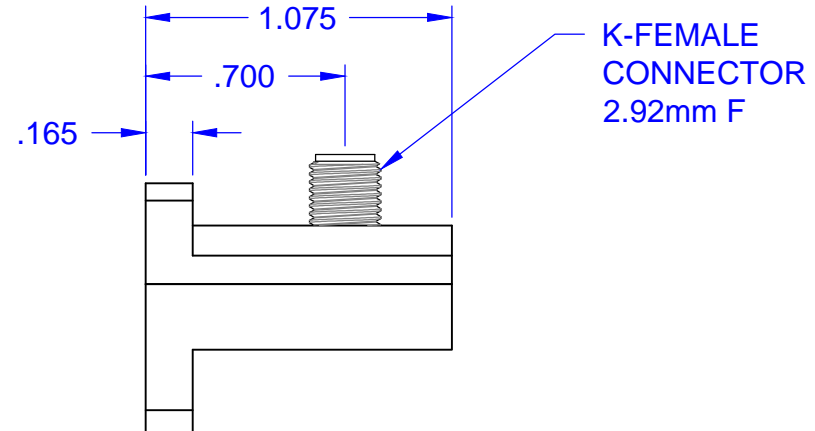


REVISIONS			
REV	DESCRIPTION	DATE	APPROVED
--	--	--	--



Ø.116 THRU (4x)



QTY	PART NUMBER	DESCRIPTION		ITEM
--	--	OUTLINE		--
UNLESS OTHERWISE SPECIFIED ALL SURFACES $\sqrt{32}$		 THIRD ANGLE PROJECTION		<b>Mi-Wave</b> Millimeter Products Inc.
DIMENSIONS ARE IN INCHES TOLERANCES ARE: DECIMALS: .1234 +/- .0005 .123 +/- .005 .12 +/- .01 ANGLES: +/- .5 DEGREES		DRAFTING: MRN APPROVED: M.S. DATE: 12/07/2009		<b>OUTLINE</b> <b>410K/595/KF</b>
ALL THREADS TO BE 2A OR 2B		SHEET NO.	OF	SIZE
REF DWG# --		1	1	DWG NO
				<b>20667</b>