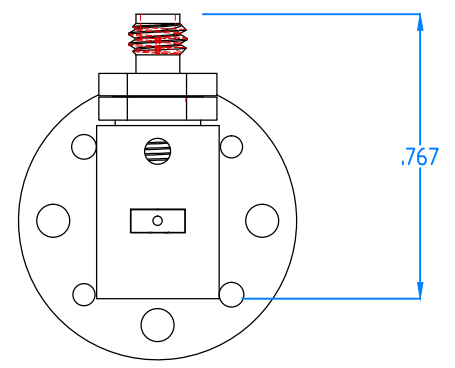
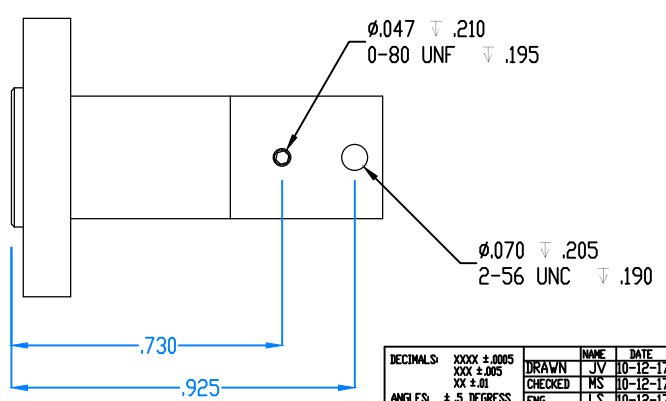
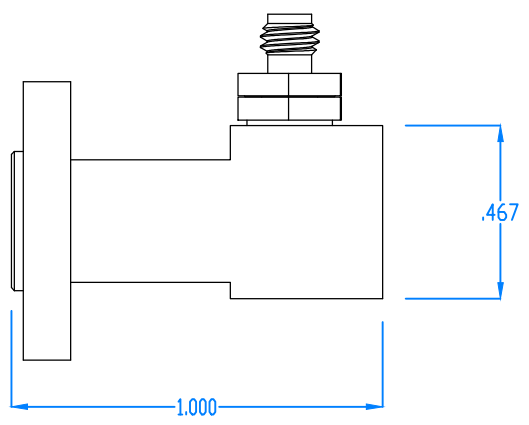
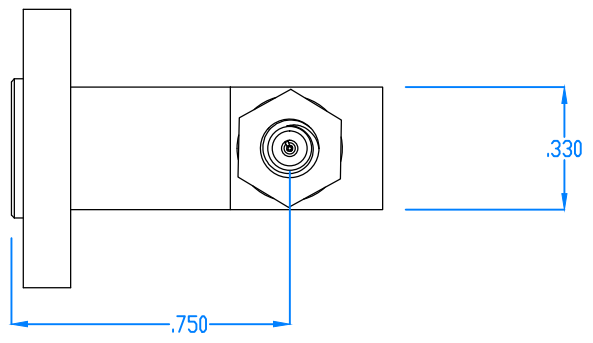
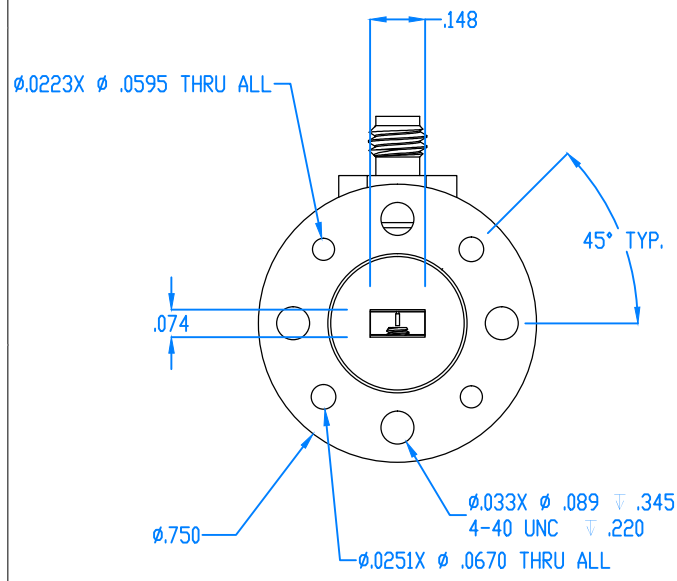


REVISIONS			
REV	DESCRIPTION	DATE	APPROVED
-	-	-	-



DECIMALS: XXXX ±.0005 XXXX ±.005 XX ±.01	DRAWN: JY 10-12-17	NAME: _____	DATE: 10-12-17	TITLE: Mi-Wave Millimeter Products Inc.
ANGLES: ±.5 DEGREES	CHECKED: MS 10-12-17	ENG: LS 10-12-17	SIZE: B	DWG. NO: 410V-385-1mm_Assem1_OUTLINE
THIRD ANGLE PROJECTION	MATL: _____	SCALE: 3:1	WEIGHT: _____	REV: _____
				SHEET 1 OF 1