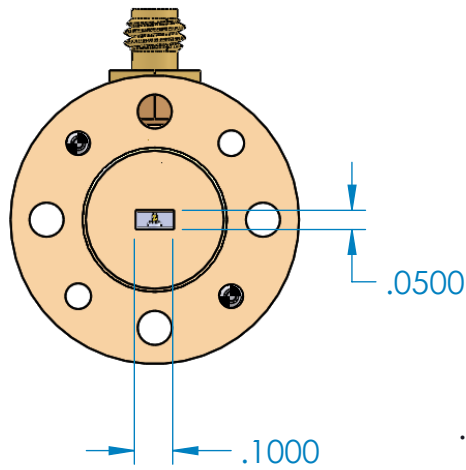
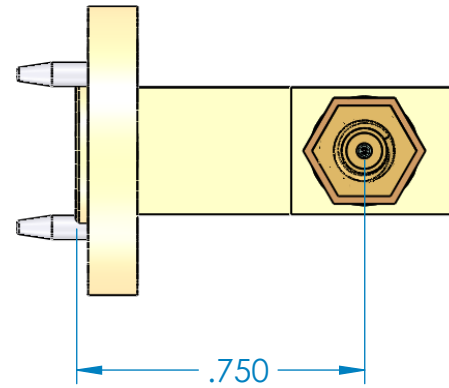
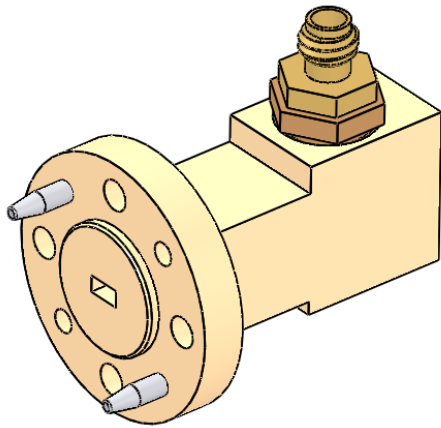
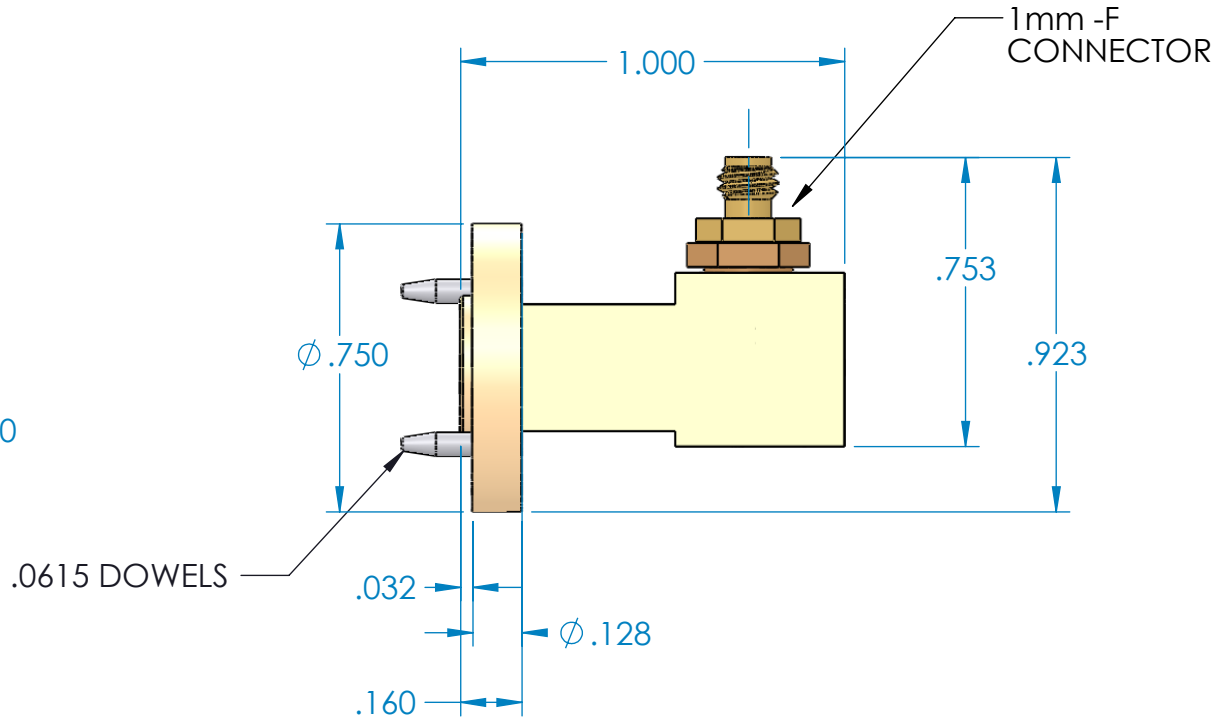


REVISIONS			
REV	DESCRIPTION	DATE	APPROVED
--	--	--	--



UG-387



**ALL DIMENSIONS
ARE REFERENCE ONLY**

DECIMALS: XXXX ±.0005 XXX ±.005 XX ±.01	NAME	DATE
ANGLES: ± .5 DEGREE	DRAWN	JV 8-4-17
THIRD ANGLE PROJECTION	CHECKED	MS 8-4-17
	ENG	LS 8-4-17
	MATL:	6061 T6 ALUMINUM

TITLE: Mi-Wave Millimeter Products Inc.		REV
SIZE A	DWG. NO. 410W-387-1mmF_OUTLINE_23681	
SCALE: 2:1	WEIGHT:	SHEET 1 OF 1