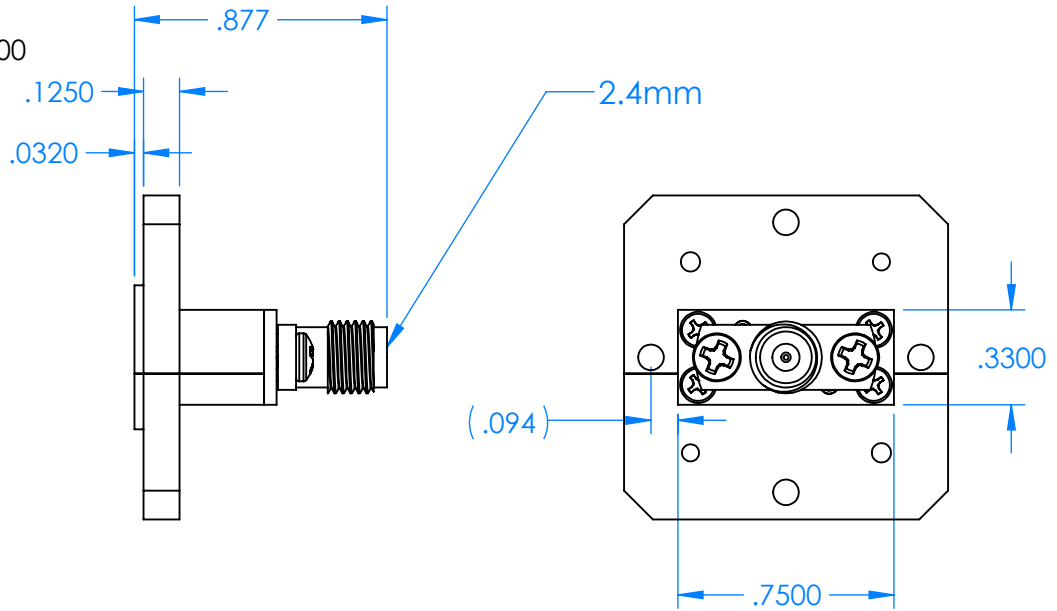
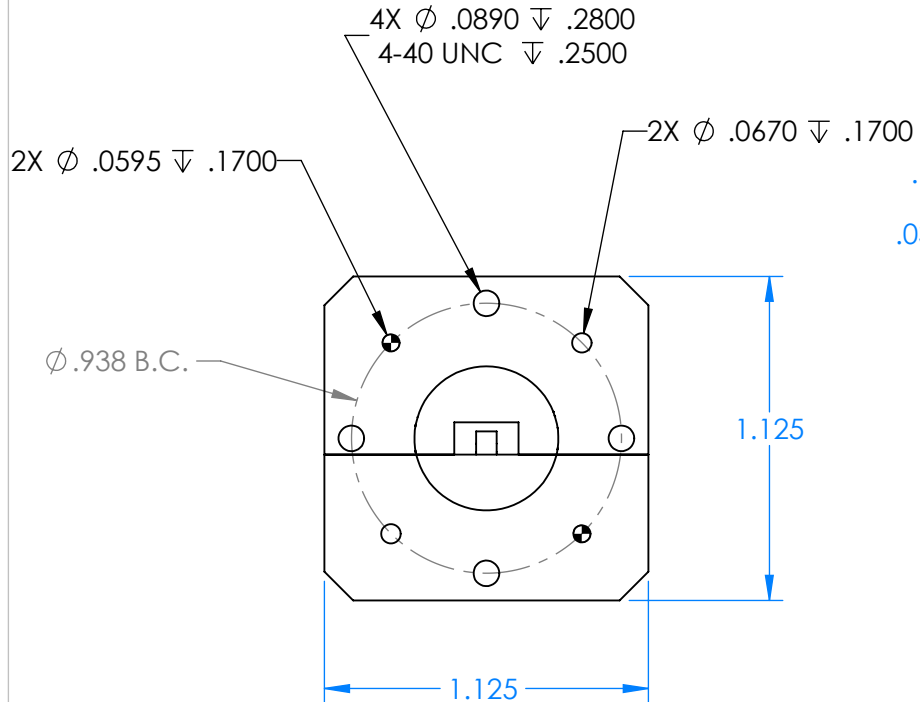
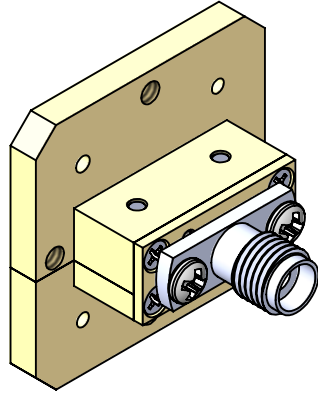
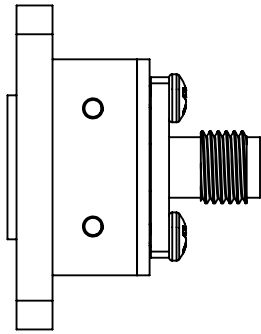
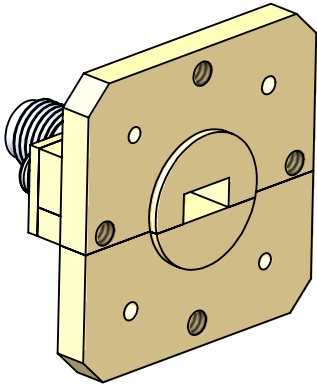


REVISIONS			
REV	DESCRIPTION	DATE	APPROVED
-	-	-	-



UG-383

DECIMALS: XXXX \pm .0005 XXX \pm .005 XX \pm .01	NAME	DATE
ANGLES: \pm .5 DEGREE	DRAWN	JV 3-25-19
THIRD ANGLE PROJECTION	CHECKED	MS 3-25-19
	ENG	LS 3-25-19
	MATL:	1/2 HARD BRASS

TITLE:	Millimeter Wave Products Inc.	
SIZE	DWG. NO.	REV
A	411B_383_END LAUNCHED_OUTLINE_25264	-
SCALE: 3:2	WEIGHT:	SHEET 1 OF 1