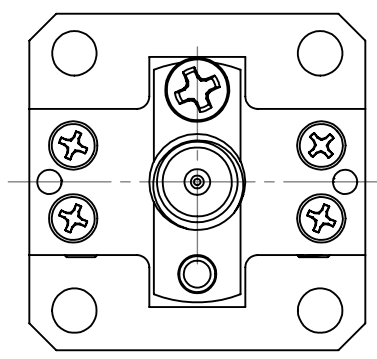
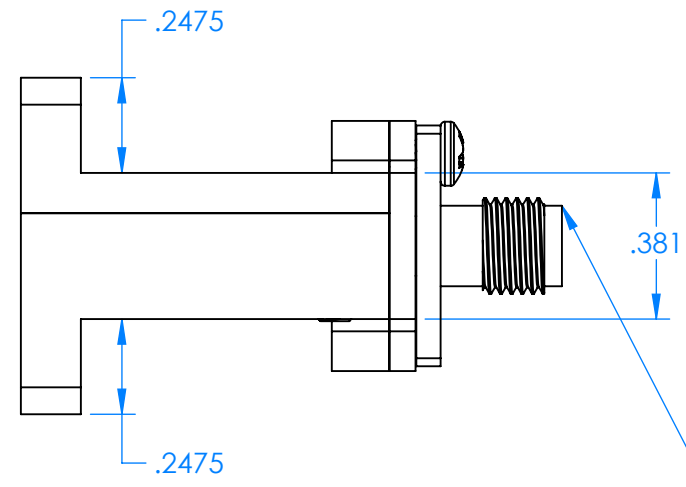
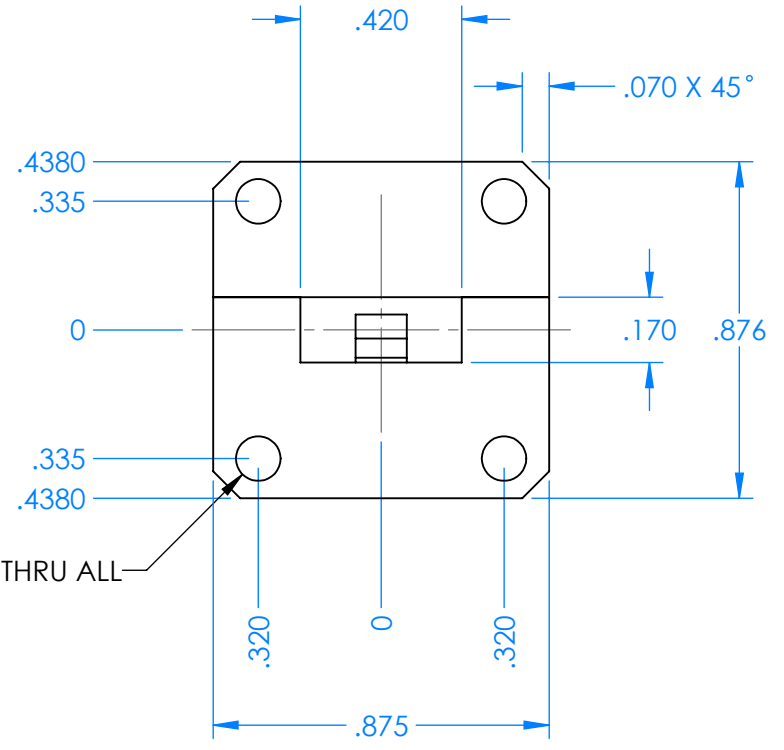
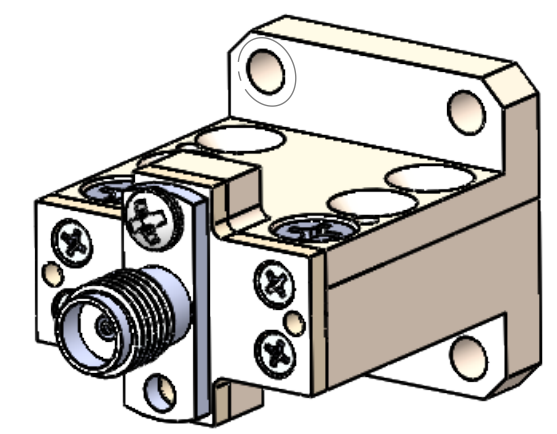
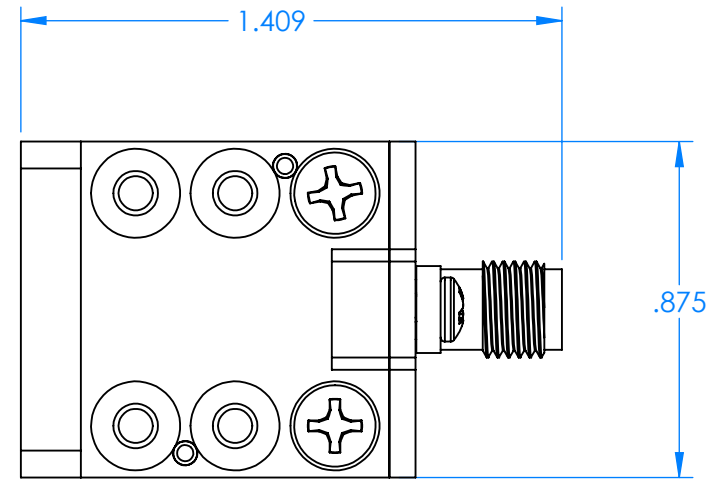
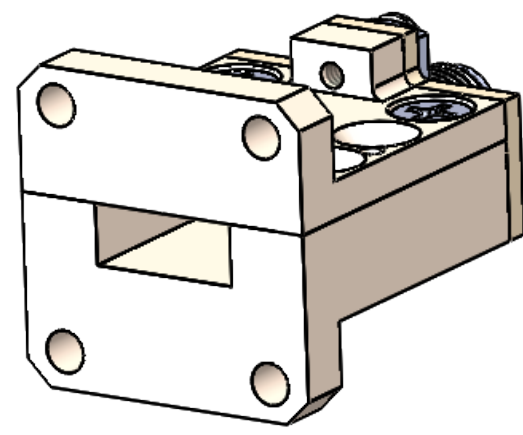
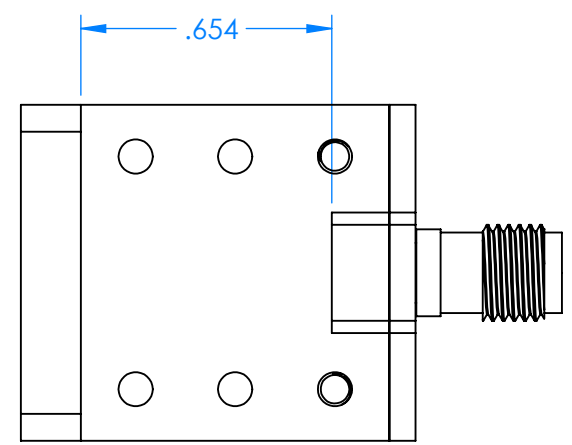


REVISIONS			
REV	DESCRIPTION	DATE	APPROVED
-	-	-	-



2.92 (KF) FEMALE CONNECTOR



ALL DIMENSIONS REFERENCE ONLY

DECIMALS: XXXX ±.0005 XXX ±.005 XX ±.01	NAME CC	DATE 2-1-21	TITLE: Millimeter Wave Products Inc.
ANGLES: ±.5 DEGREE	CHECKED LS	2-1-21	SIZE B
THIRD ANGLE PROJECTION	ENG LS	2-1-21	DWG. NO. 411K-595-KF-OUTLINE_25737
MATL: 1/2 HARD BRASS	SCALE: 2:1		REV -
WEIGHT:		SHEET 1 OF 1	