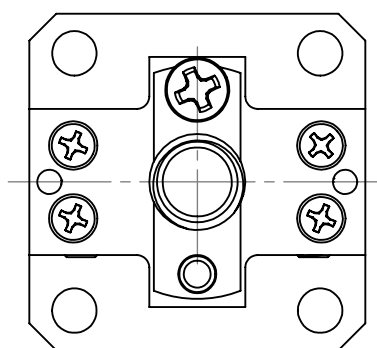
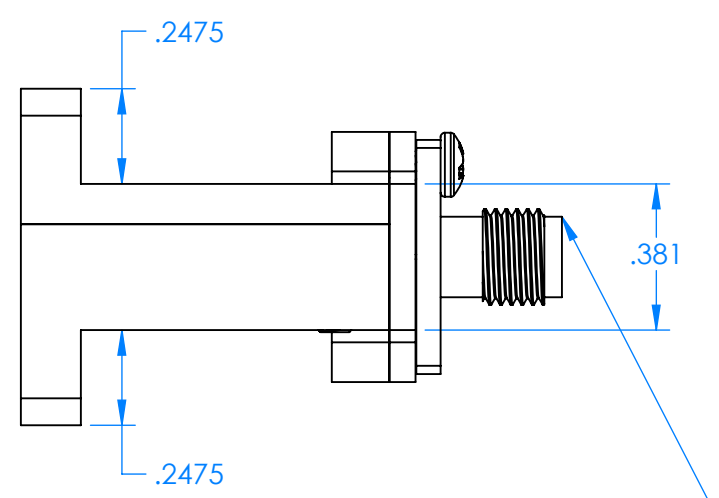
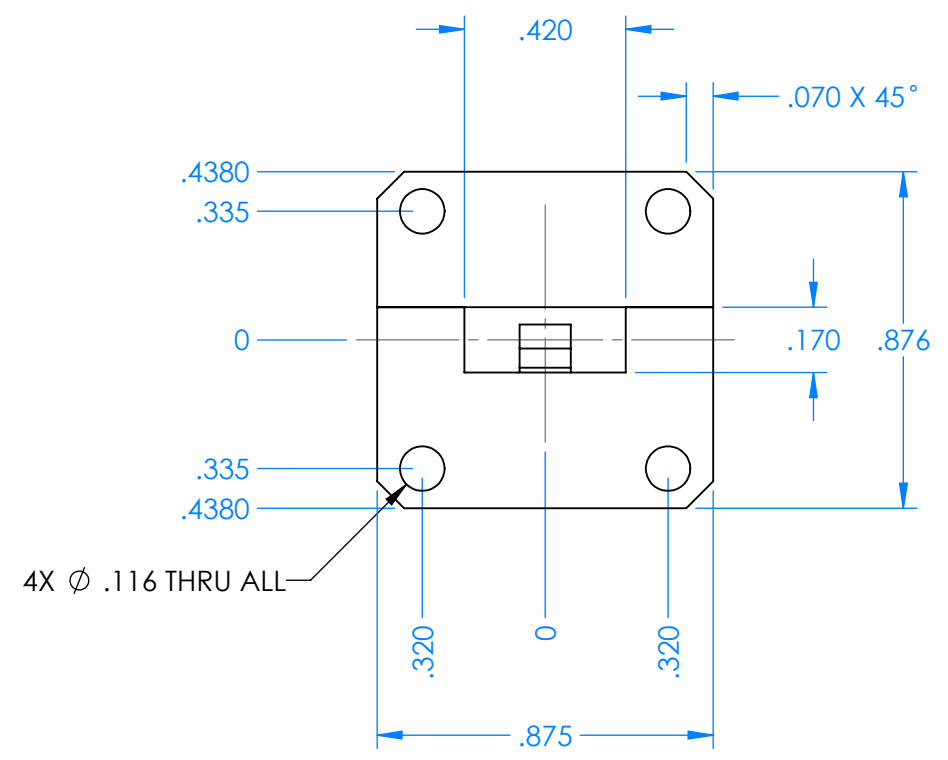
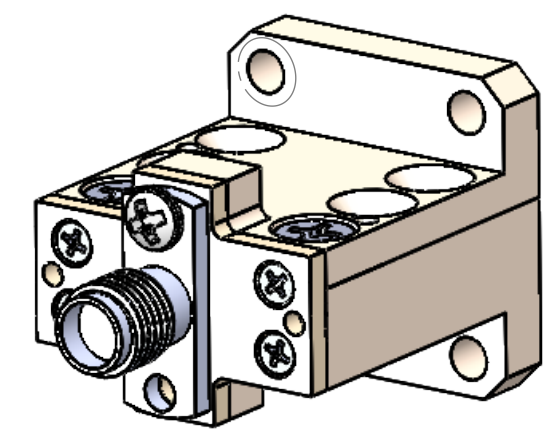
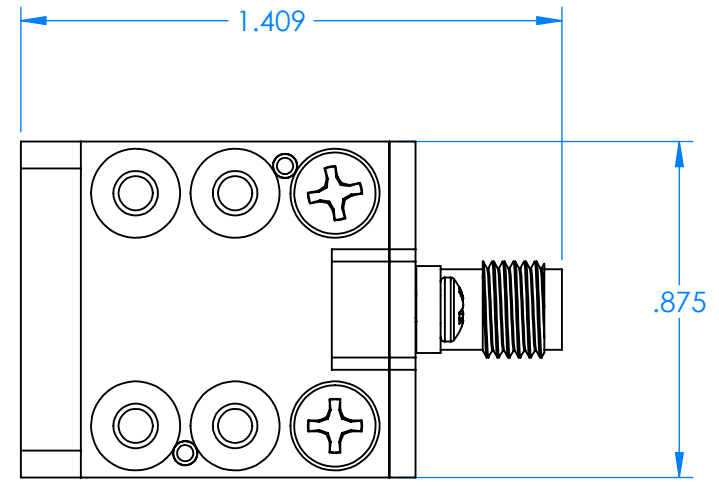
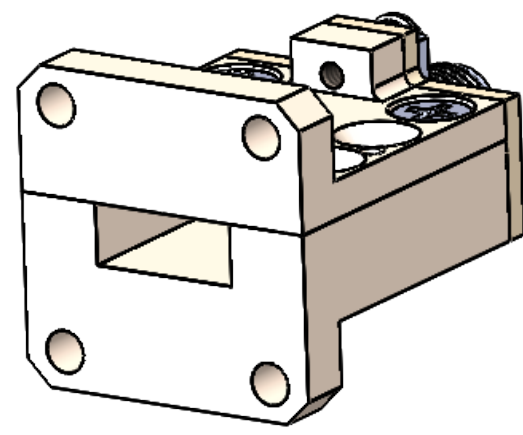
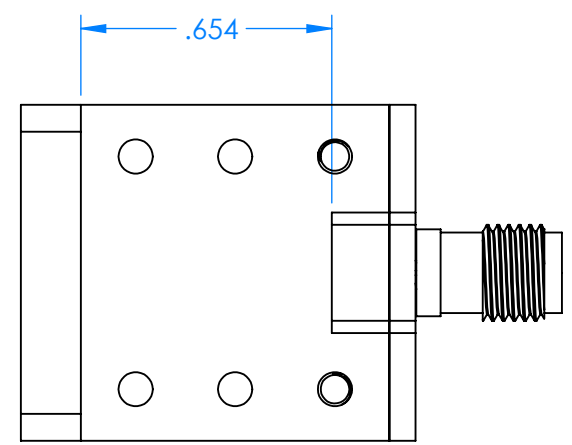


REVISIONS			
REV	DESCRIPTION	DATE	APPROVED
-	-	-	-



2.92 (KF) FEMALE CONNECTOR



ALL DIMENSIONS REFERENCE ONLY

DECIMALS: XXXX ±.0005 XXX ±.005 XX ±.01	NAME: CC DATE: 2-1-21	TITLE: Millimeter Wave Products Inc.
ANGLES: ±.5 DEGREE	DRAWN: CC CHECKED: LS ENG: LS	DATE: 2-1-21
THIRD ANGLE PROJECTION	MATL: 1/2 HARD BRASS	SIZE: B
		DWG. NO.: 411K-595-SMAF-OUTLINE_25742
		SCALE: 2:1
		WEIGHT:
		REV: -
		SHEET 1 OF 1