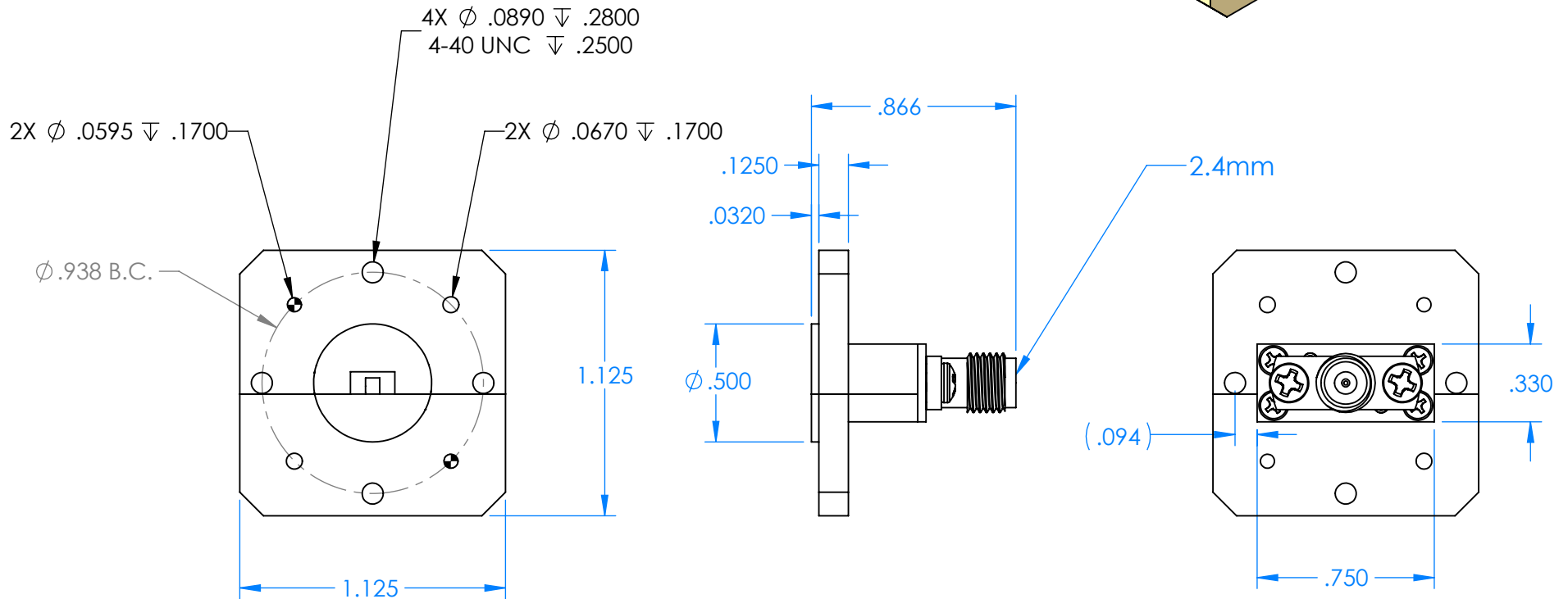
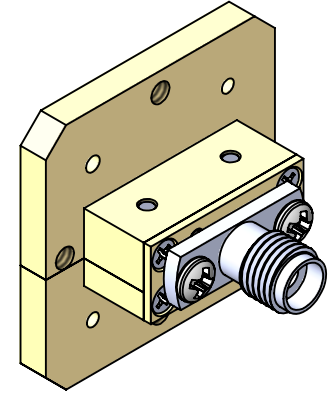
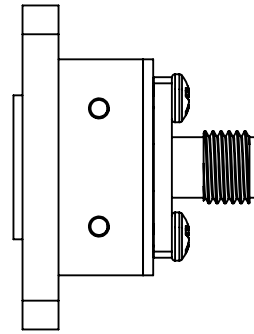
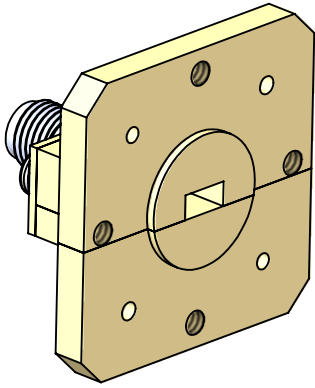


REVISIONS			
REV	DESCRIPTION	DATE	APPROVED
-	-	-	-



UG-383

DECIMALS: XXXX \pm .0005 XXX \pm .005 XX \pm .01	NAME	DATE
ANGLES: \pm .5 DEGREE	DRAWN	JV 5-29-20
THIRD ANGLE PROJECTION	CHECKED	MS 5-29-20
	ENG	LS 5-29-20
	MATL:	1/2 HARD BRASS

TITLE:	Millimeter Wave Products Inc.	
SIZE	DWG. NO.	REV
A	411U_383_END LAUNCHED_OUTLINE_25294	-
SCALE: 3:2	WEIGHT:	SHEET 1 OF 1