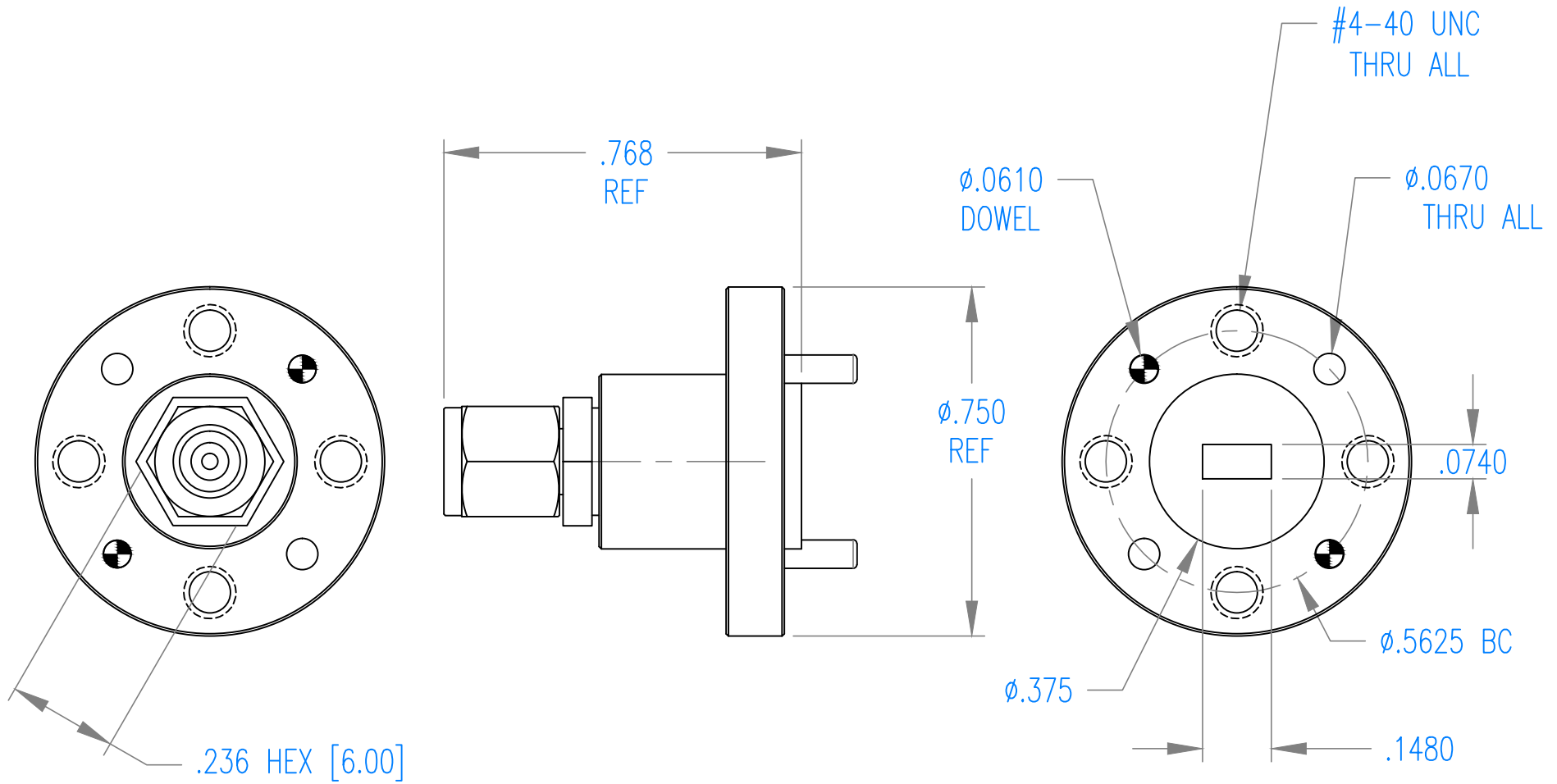


REVISIONS			
REV	DESCRIPTION	DATE	APPROVED
--	--	--	--



ALL DIMENSIONS
ARE REFERENCE ONLY

DECIMALS: XXXX $\pm .0005$ XXX $\pm .005$ XX $\pm .01$	DRAWN: JV CHECKED: MS ENG: LS	NAME: MS DATE: 3-2-18	TITLE: Mi-Wave Millimeter Products Inc.	SIZE: A	DWG. NO.: 411V_1mm MALE_OUTLINE_23996	REV: --
ANGLES: $\pm .5$ DEGREE	MATL: 6061 T6 ALUMINUM	THIRD ANGLE PROJECTION	SCALE: 3:1	WEIGHT:	SHEET 1 OF 1	