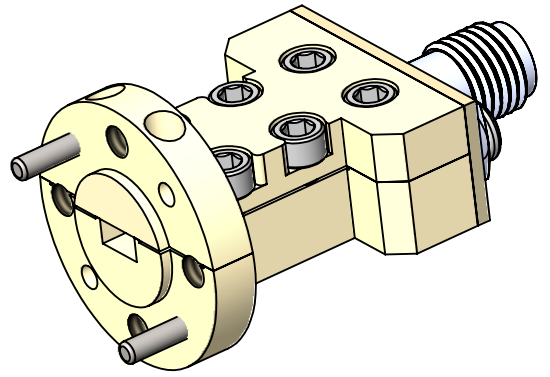
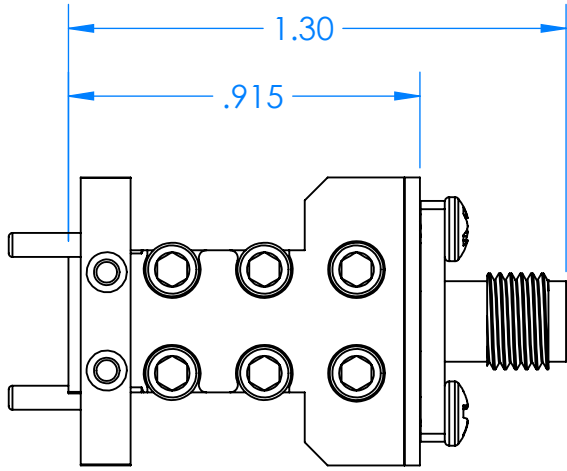
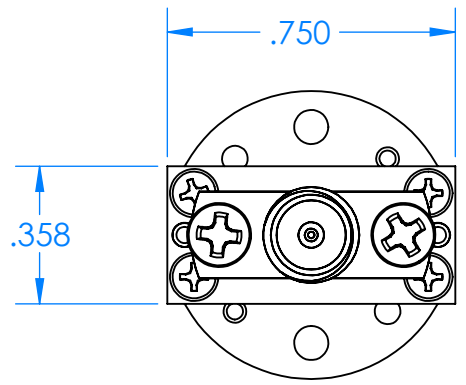
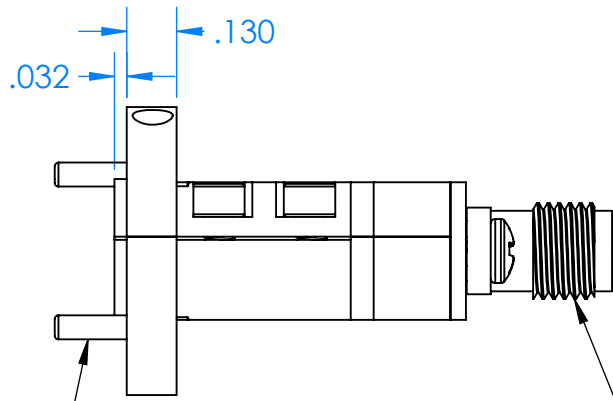
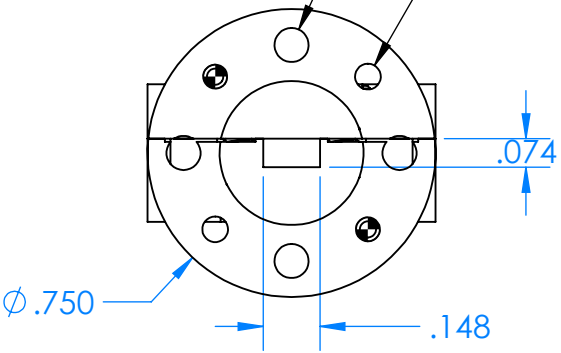


REVISIONS			
REV	DESCRIPTION	DATE	APPROVED
--	--	--	--



4X ϕ .089 ∇ .300
4-40 UNC ∇ .250

2X ϕ .067 ∇ .190



.061 DOWELS

UG-385

ALL DIMENSIONS
ARE REFERENCE ONLY

DECIMALS: XXXX \pm .0005 XXX \pm .005 XX \pm .01 ANGLES: \pm .5 DEGREE	THIRD ANGLE PROJECTION	<table border="1"> <tr> <th>NAME</th> <th>DATE</th> </tr> <tr> <td>DRAWN JV</td> <td>6-29-20</td> </tr> <tr> <td>CHECKED LS</td> <td>6-29-20</td> </tr> <tr> <td>ENG LS</td> <td>6-29-20</td> </tr> </table>	NAME	DATE	DRAWN JV	6-29-20	CHECKED LS	6-29-20	ENG LS	6-29-20	TITLE: Millimeter Wave Products Inc. SIZE DWG. NO. A 411V_385_1.85mm-F_END LAUNCHED_OUTLINE_25361 SCALE: 2:1	REV WEIGHT: SHEET 1 OF 1
NAME	DATE											
DRAWN JV	6-29-20											
CHECKED LS	6-29-20											
ENG LS	6-29-20											
MATERIAL: 1/2 HARD BRASS												