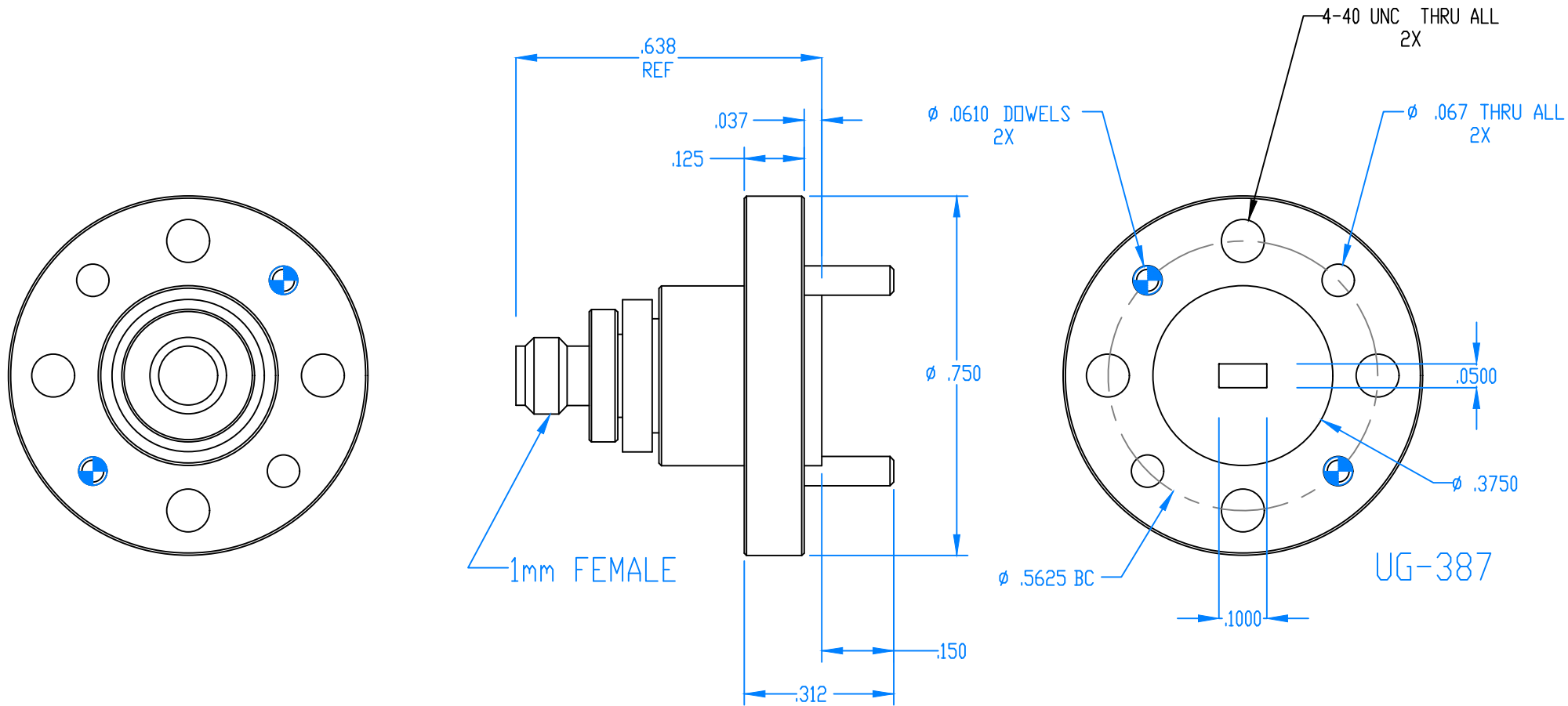


REVISIONS			
REV	DESCRIPTION	DATE	APPROVED
--	--	--	--



ALL DIMENSIONS
ARE REFERENCE ONLY

DECIMALS: XXXX $\pm .0005$ XXX $\pm .005$ XX $\pm .01$	ANGLES: ± 5 DEGREE	THIRD ANGLE PROJECTION		MATL: 6061 T6 ALUMINUM	<table border="1"> <thead> <tr> <th>NAME</th> <th>DATE</th> </tr> </thead> <tbody> <tr> <td>DRAWN CC</td> <td>3-2-18</td> </tr> <tr> <td>CHECKED MS</td> <td>3-2-18</td> </tr> <tr> <td>ENG LS</td> <td>3-2-18</td> </tr> </tbody> </table>	NAME	DATE	DRAWN CC	3-2-18	CHECKED MS	3-2-18	ENG LS	3-2-18	TITLE: Mi-Wave Millimeter Products Inc. SIZE DWG. NO. A 411W_END LAUNCHED ADAPTOR_OUTLINE_25524 SCALE: 3:1	REV SHEET 1 OF 1
NAME	DATE														
DRAWN CC	3-2-18														
CHECKED MS	3-2-18														
ENG LS	3-2-18														
				WEIGHT:											