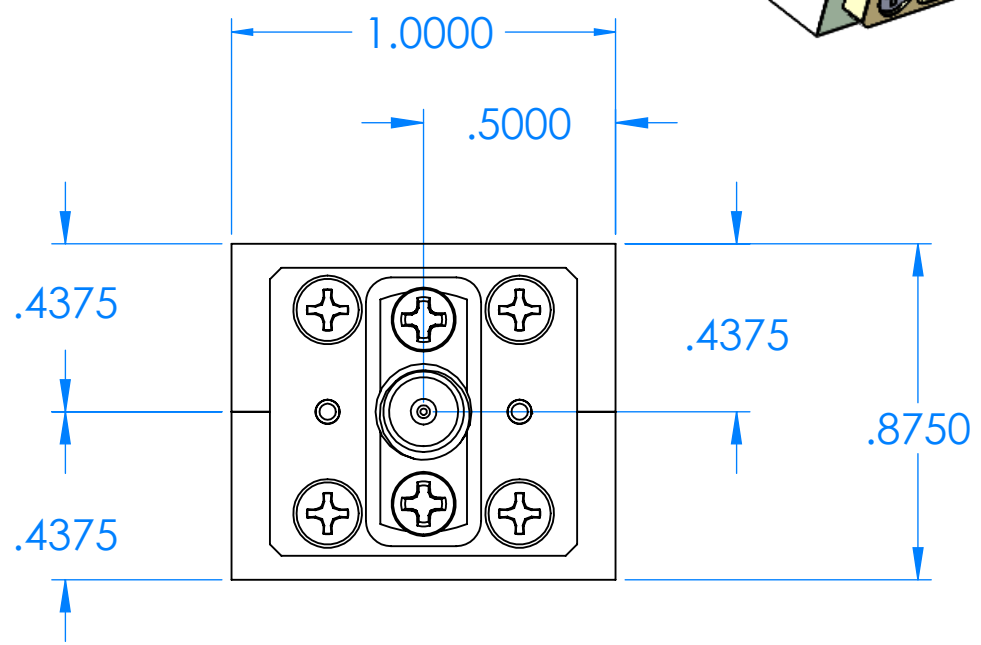
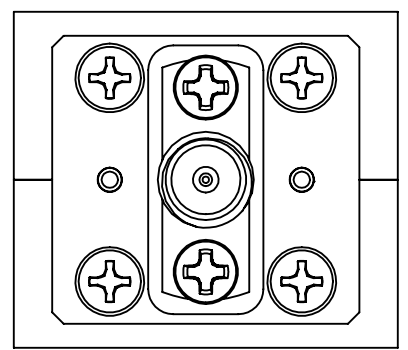
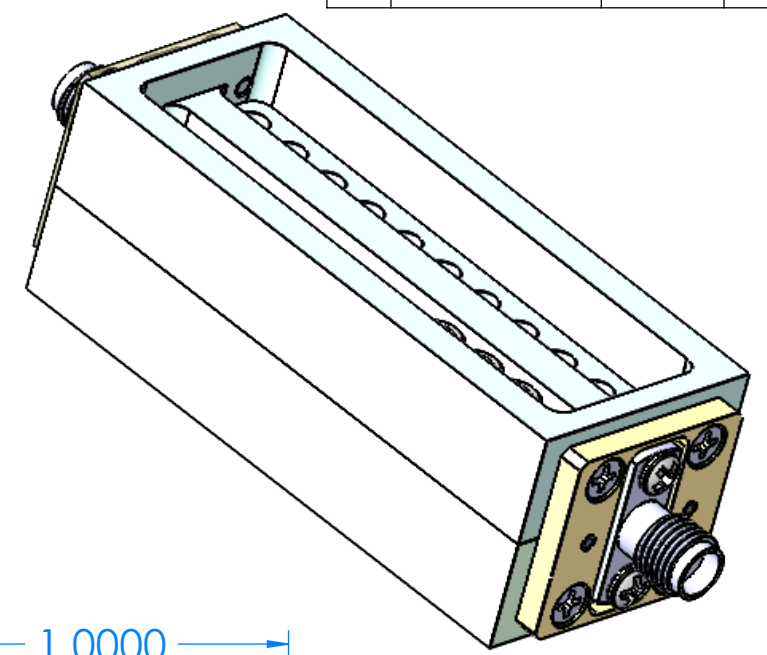
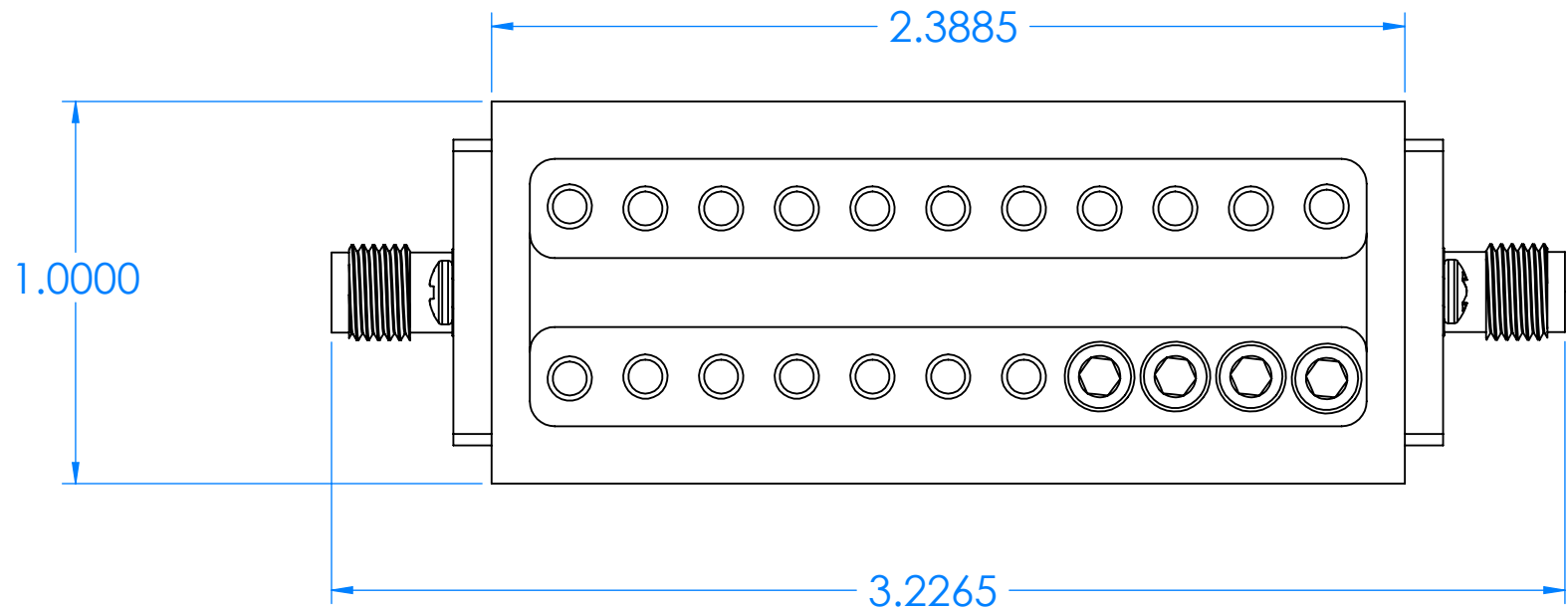


REVISIONS			
REV	DESCRIPTION	DATE	APPROVED
-	-	-	-



DECIMALS: XXXX ±.0005 XXX ±.005 XX ±.01	DRAWN: JV CHECKED: MS ENG: LS	NAME: MS DATE: 6-16-20	TITLE: Millimeter Wave Products Inc.
ANGLES: ±.5 DEGREE	MATL: 6061 T6 ALUMINUM	SIZE: B	DWG. NO.: 460A-26.5_7_KF_OUTLINE_25382
THIRD ANGLE PROJECTION	SCALE: 2:1	WEIGHT:	REV: - SHEET 1 OF 1