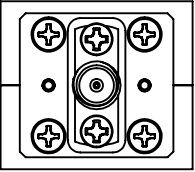
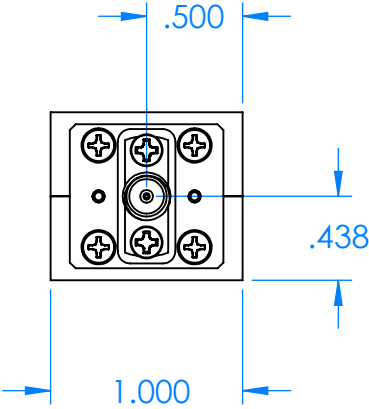
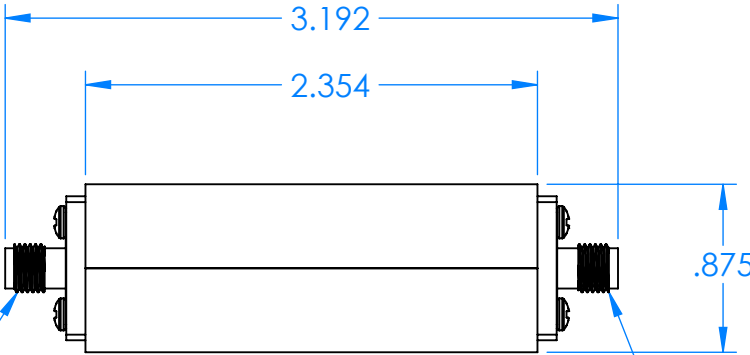
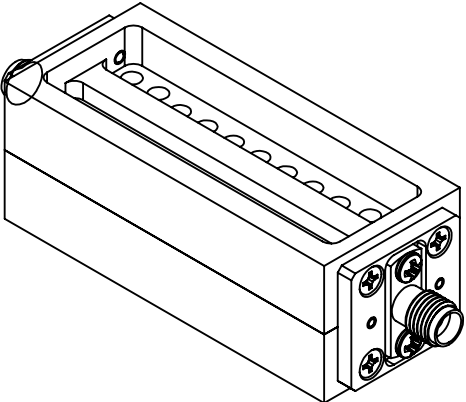
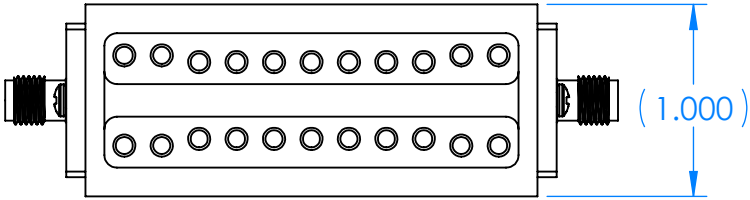
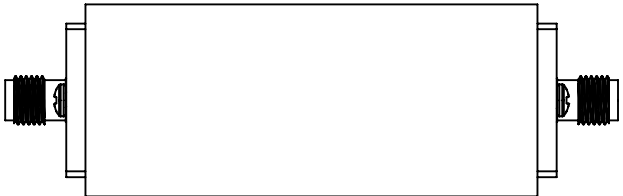


REVISIONS			
REV	DESCRIPTION	DATE	APPROVED
-	-	-	-



KF

KF



DECIMALS: XXXX ±.0005 XXX ±.005 XX ±.01	DRAWN	JV	6-17-20
ANGLES: ± .5 DEGREE	CHECKED	MS	6-17-20
THIRD ANGLE PROJECTION	ENG	LS	6-17-20
	MATL:	_____	

TITLE: Millimeter Wave Products Inc.		REV
SIZE DWG. NO.	460A_LPF_35_7_KF_OUTLINE_25317	-
SCALE: 1:1	WEIGHT:	SHEET 1 OF 1