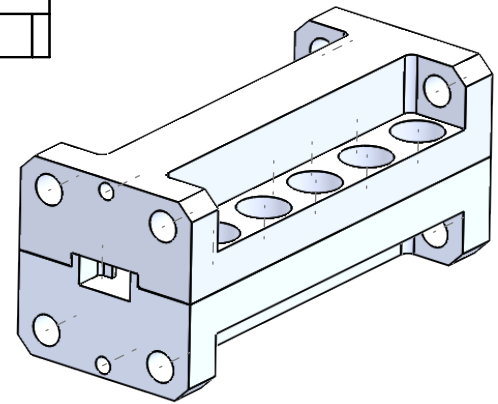
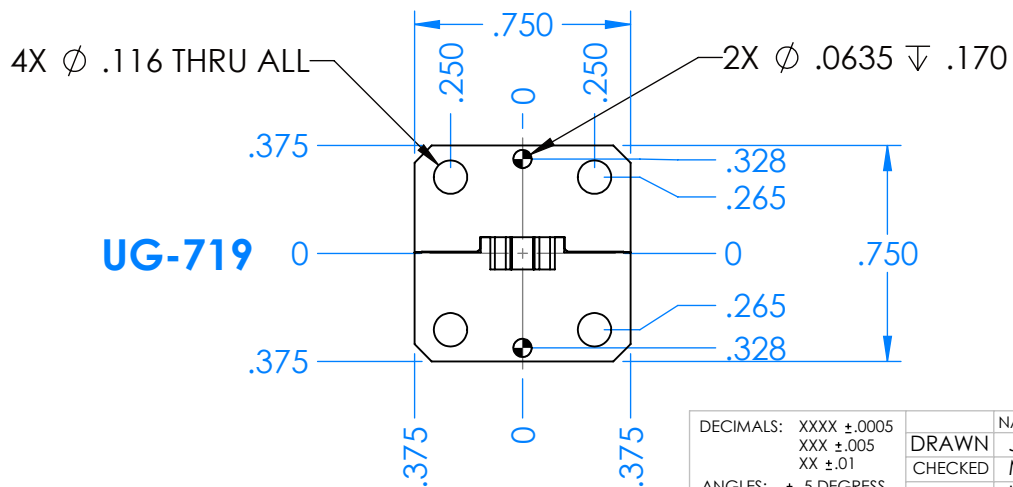
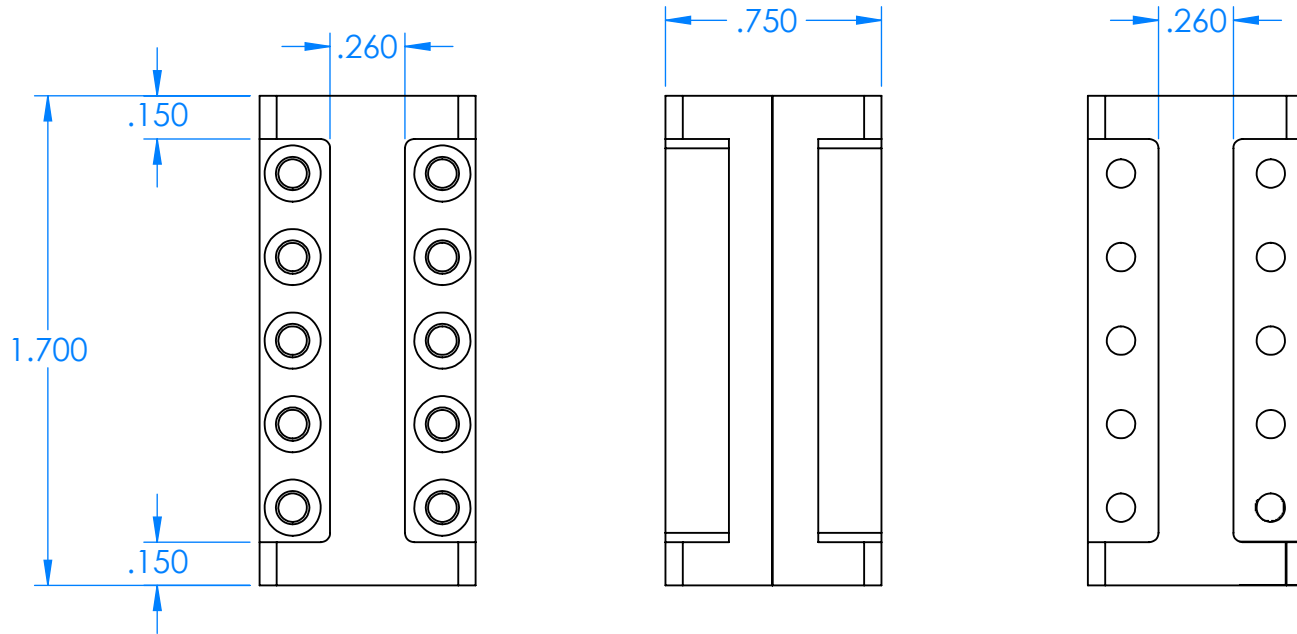
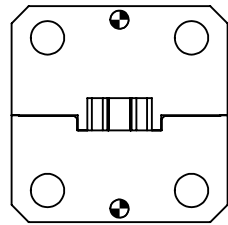


REVISIONS			
REV	DESCRIPTION	DATE	APPROVED
-	-	-	-

UG-719



DECIMALS: XXXX ±.0005
 XXX ±.005
 XX ±.01
 ANGLES: ± .5 DEGREE

THIRD ANGLE PROJECTION

	NAME	DATE
DRAWN	JV	8-12-19
CHECKED	MS	8-12-19
ENG	LS	8-12-19

MATL:
6061 T6 ALUMINUM

TITLE: Mi-Wave Millimeter Products Inc.		REV
SIZE DWG. NO.	A 460B-44.5-719_OUTLINE_24888	-
SCALE: 3:2	WEIGHT:	SHEET 1 OF 1