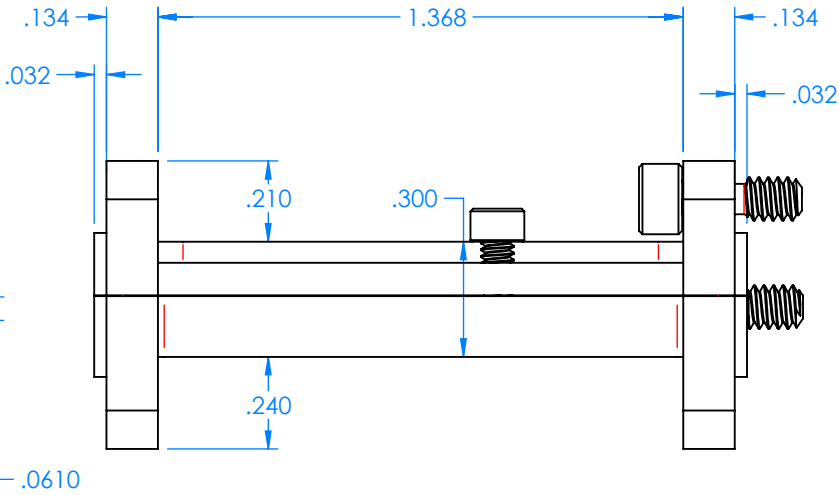
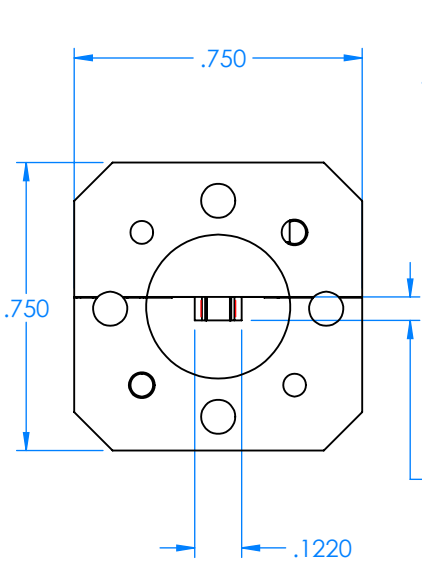
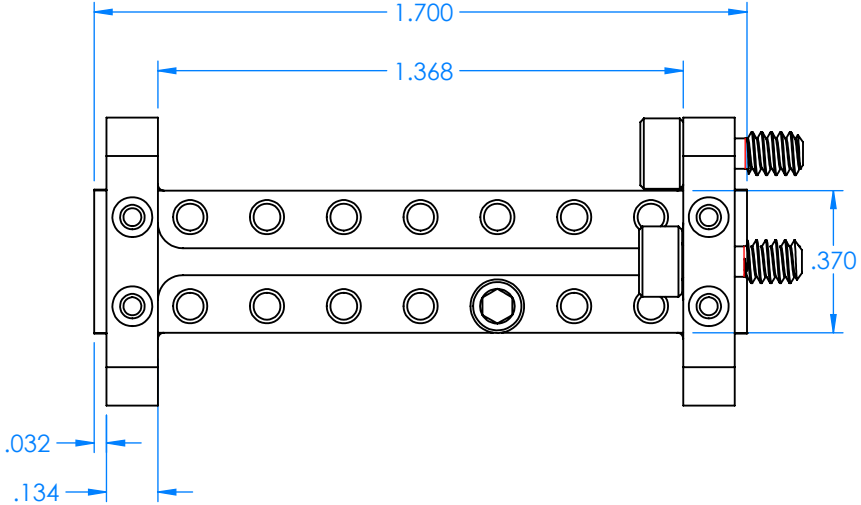
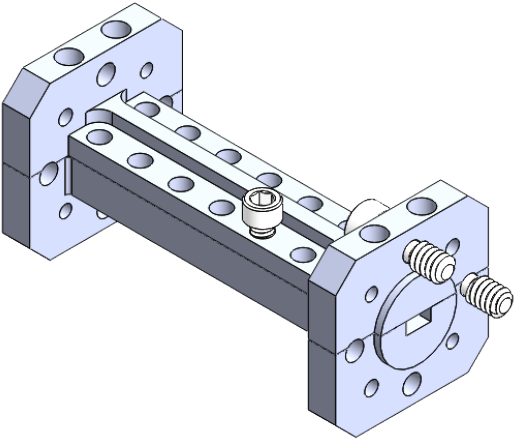
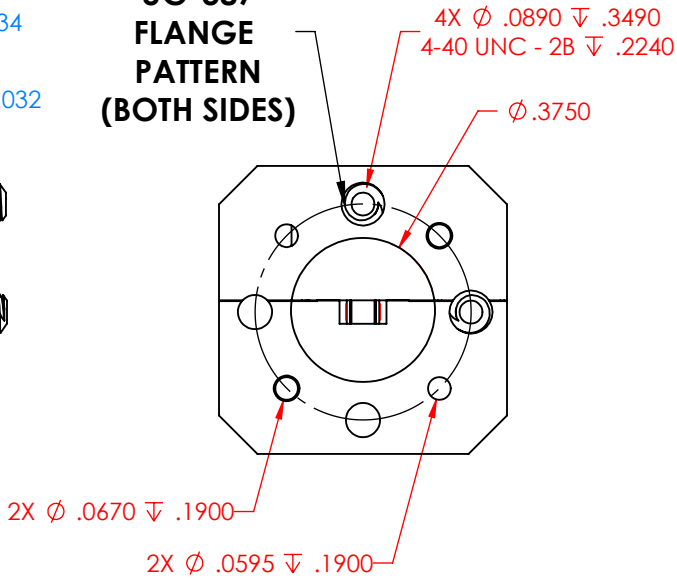


REVISIONS			
REV	DESCRIPTION	DATE	APPROVED
-	-	-	-



Ø .5625
UG-387
FLANGE
PATTERN
(BOTH SIDES)



DECIMALS: XXXX ±.0005 XXX ±.005 XX ±.01	DRAWN	JV	8-6-19
ANGLES: ± .5 DEGREE	CHECKED	LS	8-6-19
THIRD ANGLE PROJECTION	ENG	LS	8-6-19
	MATL:	6061 T6 ALUMINUM	

TITLE: Mi-Wave Millimeter Products Inc.		REV
SIZE DWG. NO.	460E-62.8-387_OUTLINE_24874	-
SCALE: 2:1	WEIGHT:	SHEET 1 OF 1