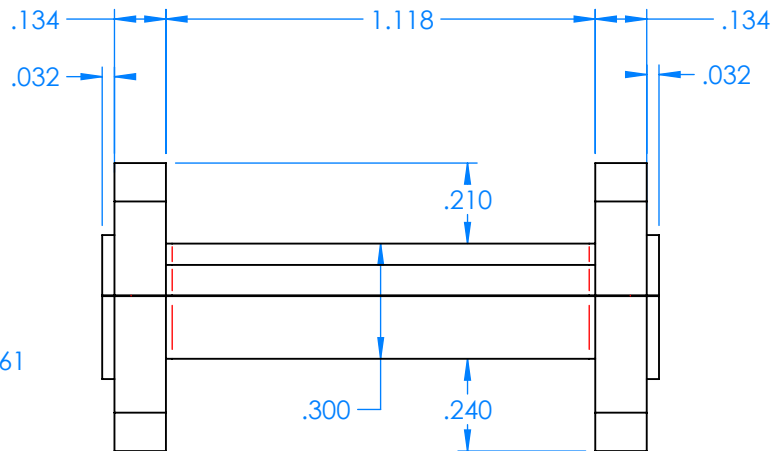
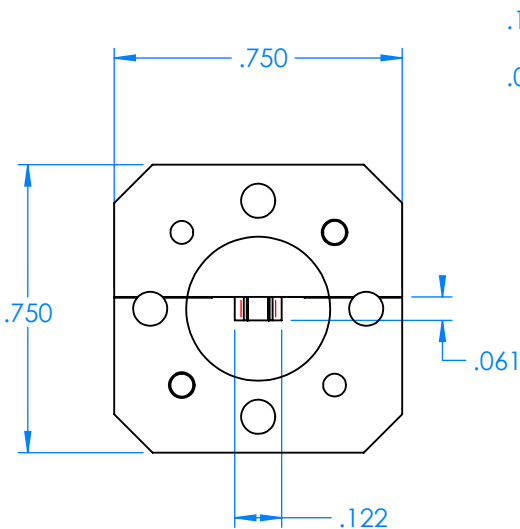
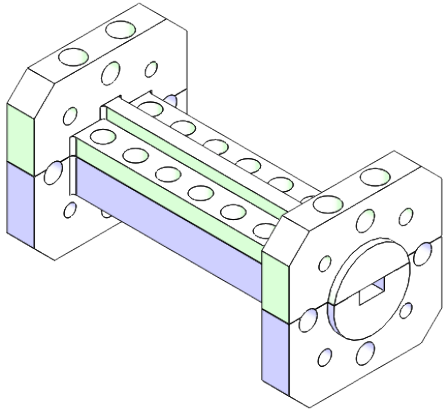
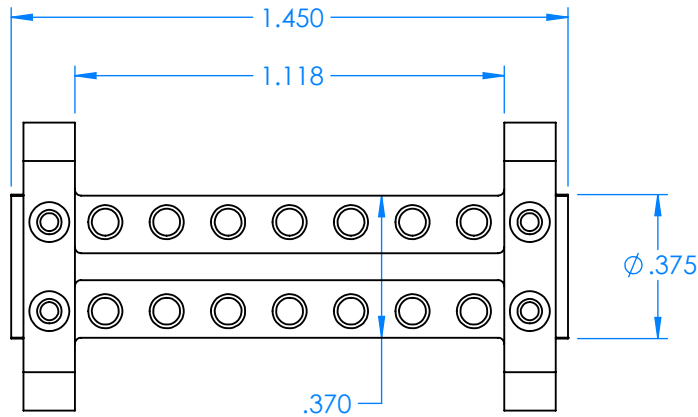
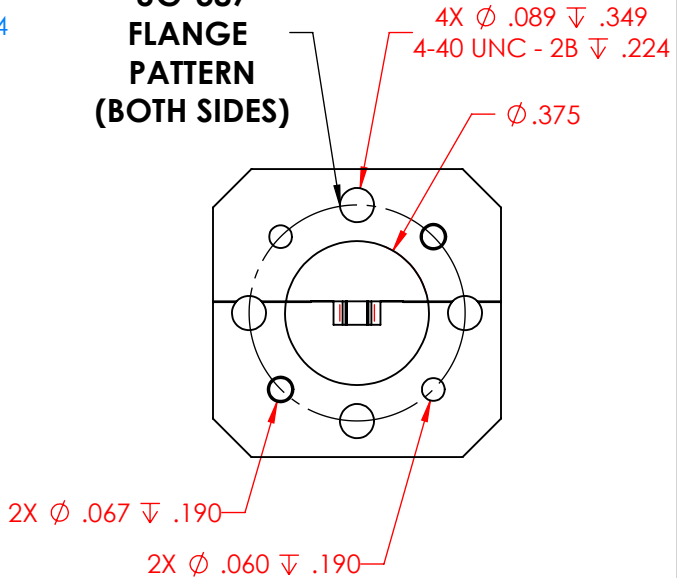


REVISIONS			
REV	DESCRIPTION	DATE	APPROVED
-	-	-	-



**$\phi .563$
UG-387
FLANGE
PATTERN
(BOTH SIDES)**



DECIMALS: XXXX $\pm .0005$
 XXX $\pm .005$
 XX $\pm .01$
 ANGLES: $\pm .5$ DEGREE

THIRD ANGLE PROJECTION

	NAME	DATE
DRAWN	YM	4-3-19
CHECKED	LS	4-3-19
ENG	LS	4-3-19

MATL:
6061 T6 ALUMINUM

TITLE: **Millimeter Wave Products Inc.**

SIZE DWG. NO.

A

460E-74.5_82.5_40_387P_OUTLINE_24651

REV

-

SCALE: 2:1

WEIGHT:

SHEET 1 OF 1