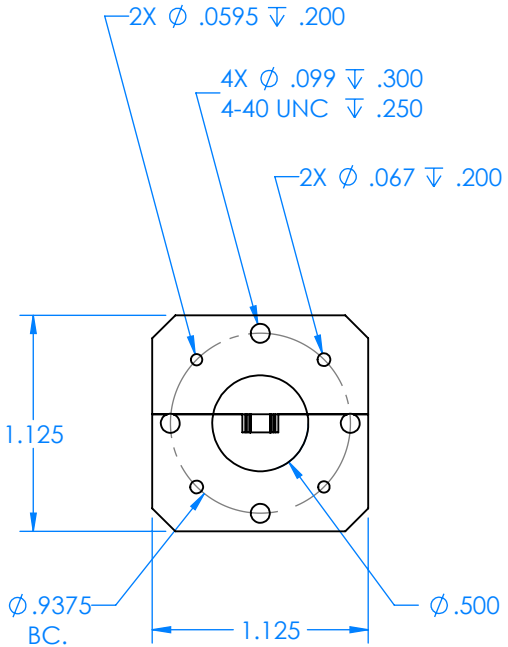
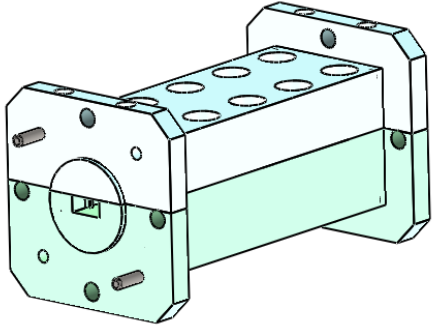
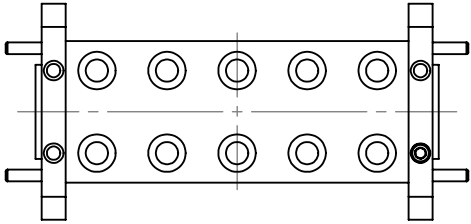
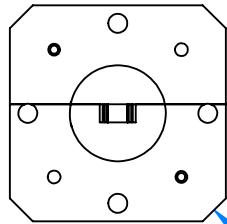
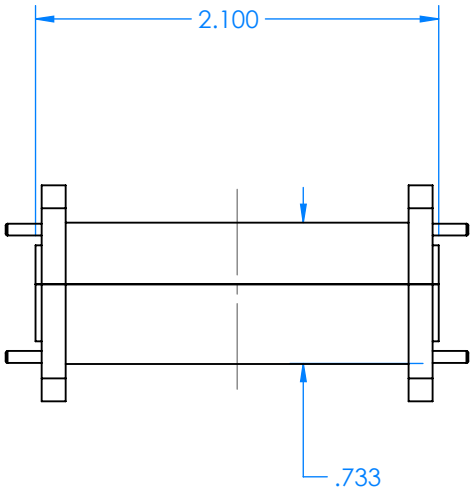


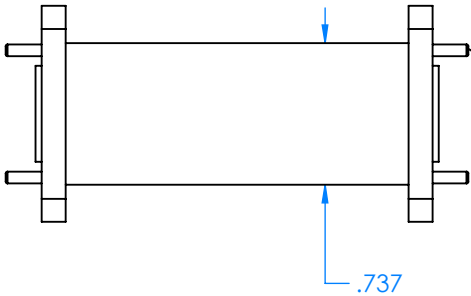
REVISIONS			
REV	DESCRIPTION	DATE	APPROVED
--	--	--	--



UG-383



UG-383 .120 X 45.00°



.0615 DOWEL (2X)

ALL DIMENSIONS
ARE REFERENCE
ONLY

DECIMALS: XXXX ±.0005 XXX ±.005 XX ±.01	ANGLES: ± .5 DEGREE	THIRD ANGLE PROJECTION	<table border="1"> <tr> <td>NAME</td> <td>DATE</td> </tr> <tr> <td>DRAWN JV</td> <td>5-30-19</td> </tr> <tr> <td>CHECKED MS</td> <td>5-30-19</td> </tr> <tr> <td>ENG MS</td> <td>5-30-19</td> </tr> </table>	NAME	DATE	DRAWN JV	5-30-19	CHECKED MS	5-30-19	ENG MS	5-30-19
NAME	DATE										
DRAWN JV	5-30-19										
CHECKED MS	5-30-19										
ENG MS	5-30-19										
MATERIAL: 6061 T6 ALUMINUM			<table border="1"> <tr> <td>TITLE:</td> <td>Mi-Wave Millimeter Products Inc.</td> </tr> <tr> <td>SIZE</td> <td>DWG. NO. 460U-43_383_OUTLINE_24746</td> </tr> <tr> <td>SCALE: 1:1</td> <td>WEIGHT:</td> </tr> </table>	TITLE:	Mi-Wave Millimeter Products Inc.	SIZE	DWG. NO. 460U-43_383_OUTLINE_24746	SCALE: 1:1	WEIGHT:		
TITLE:	Mi-Wave Millimeter Products Inc.										
SIZE	DWG. NO. 460U-43_383_OUTLINE_24746										
SCALE: 1:1	WEIGHT:										

REV	DESCRIPTION	DATE	APPROVED
--	--	--	--