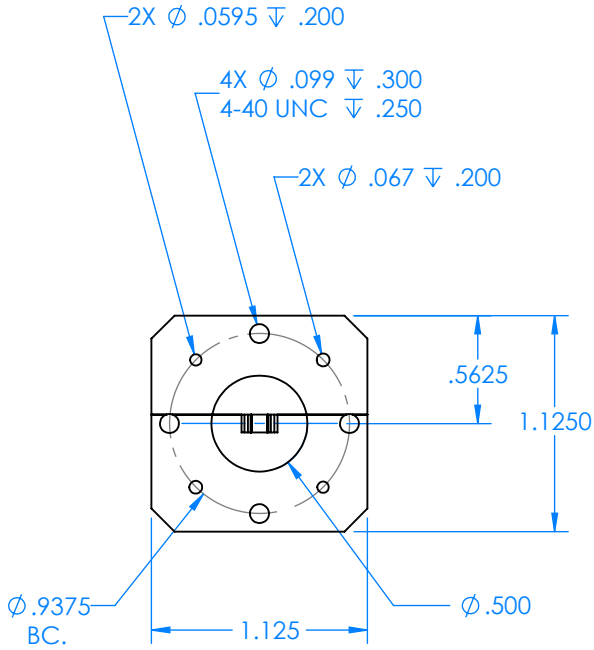
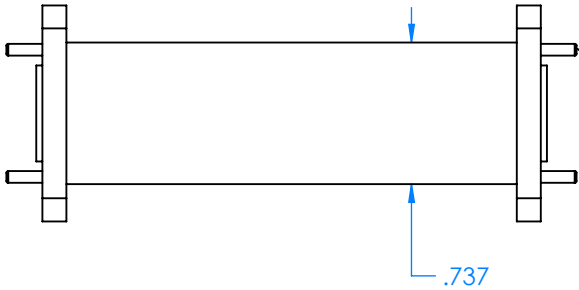
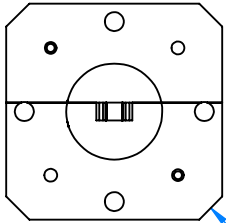
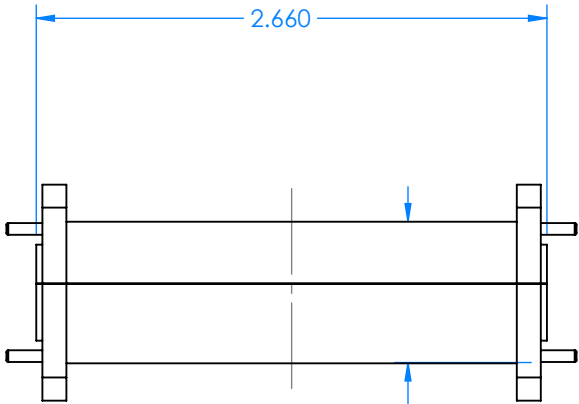
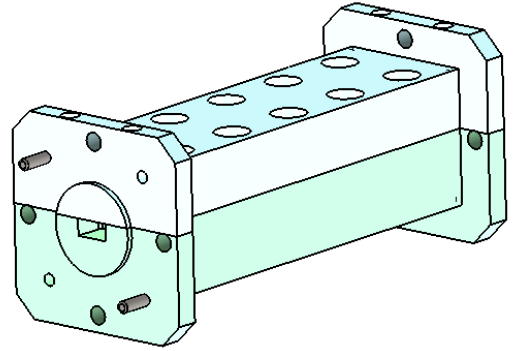
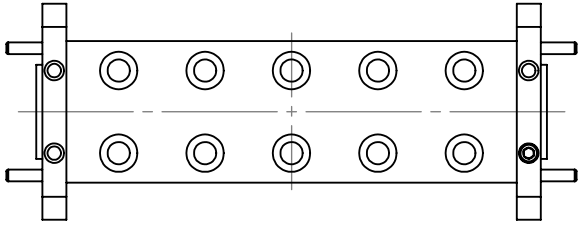


REVISIONS			
REV	DESCRIPTION	DATE	APPROVED
--	--	--	--



UG-383 ∇ .120 X 45.00°

.0615 DOWEL (2X)

UG-383

ALL DIMENSIONS
ARE REFERENCE
ONLY

DECIMALS: XXXX \pm .0005 XXX \pm .005 XX \pm .01	ANGLES: \pm .5 DEGREE	THIRD ANGLE PROJECTION	<table border="1"> <tr> <td>DRAWN</td> <td>JV</td> <td>7-30-19</td> </tr> <tr> <td>CHECKED</td> <td>MS</td> <td>7-30-19</td> </tr> <tr> <td>ENG</td> <td>LS</td> <td>7-30-19</td> </tr> </table>	DRAWN	JV	7-30-19	CHECKED	MS	7-30-19	ENG	LS	7-30-19	NAME: DATE: TITLE: Mi-Wave Millimeter Products Inc. MATL: 6061 T6 ALUMINUM SCALE: 1:1	SIZE: DWG. NO. 460U-47.8_383_OUTLINE_24758 WEIGHT:	REV: SHEET 1 OF 1
DRAWN	JV	7-30-19													
CHECKED	MS	7-30-19													
ENG	LS	7-30-19													