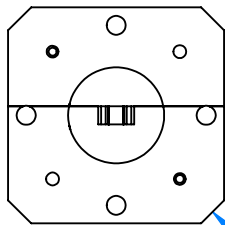
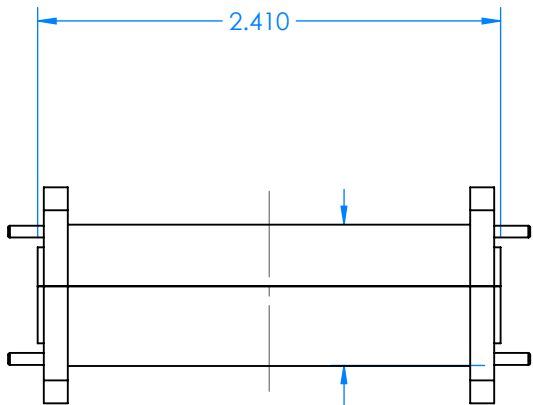
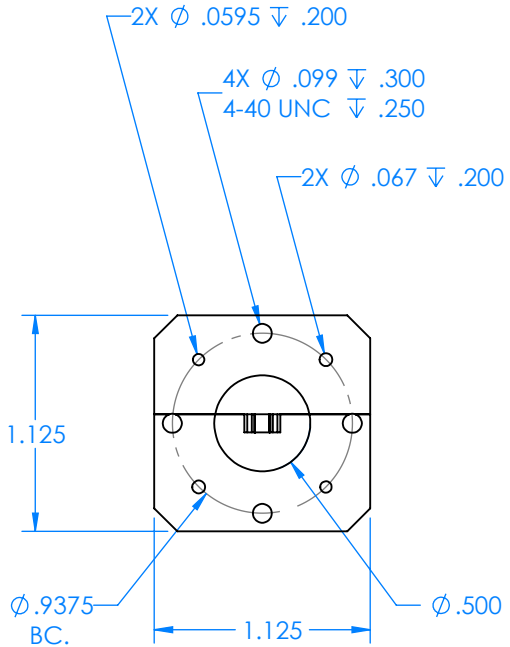
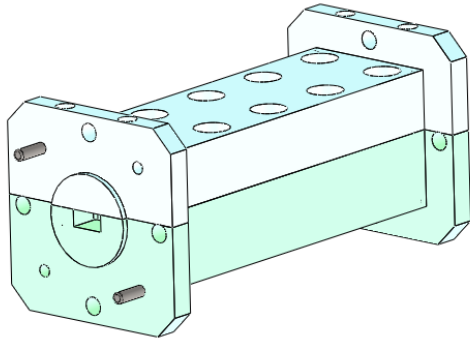
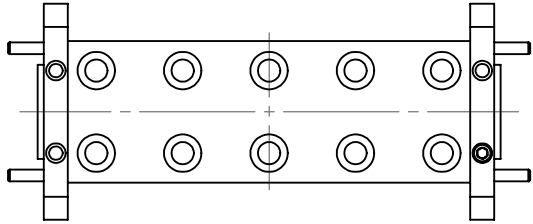
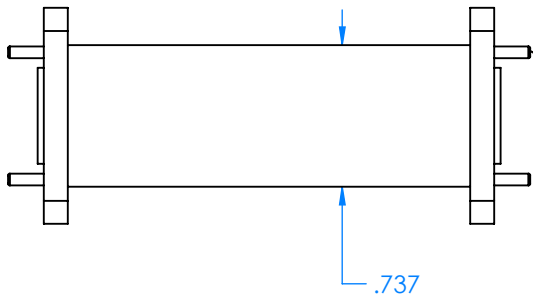


REVISIONS			
REV	DESCRIPTION	DATE	APPROVED
--	--	--	--



UG-383 .120 X 45.00°

UG-383



.0615 DOWEL (2X)

ALL DIMENSIONS
ARE REFERENCE
ONLY

DECIMALS: XXXX ±.0005 XXX ±.005 XX ±.01	NAME	DATE	TITLE: Mi-Wave Millimeter Products Inc.
ANGLES: ± .5 DEGREE	DRAWN	JV 5-30-19	
THIRD ANGLE PROJECTION	CHECKED	MS 5-30-19	
	ENG	MS 5-30-19	
	MATL:	6061 T6 ALUMINUM	

SIZE	DWG. NO.	REV
A	460U-52_383_OUTLINE_24762	
SCALE: 1:1	WEIGHT:	SHEET 1 OF 1