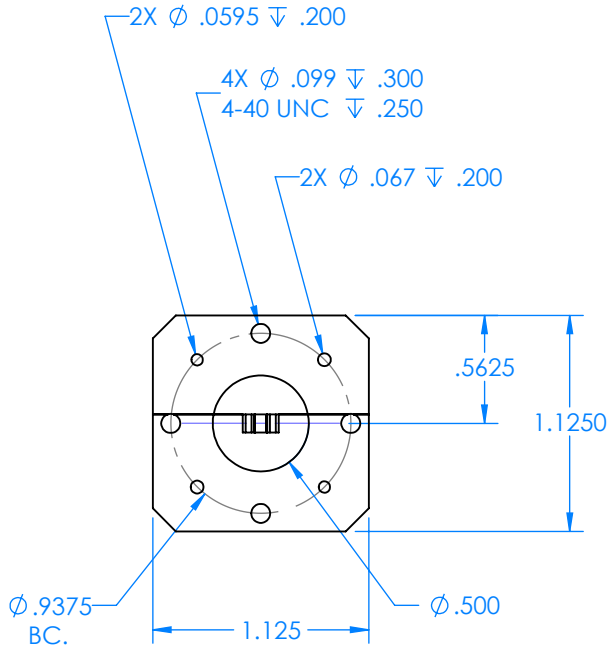
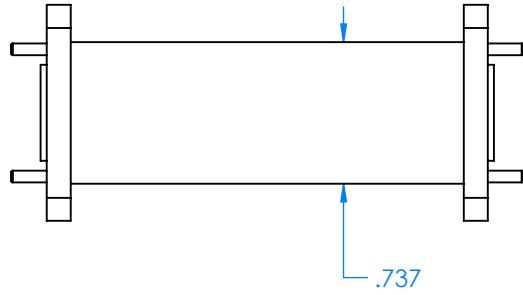
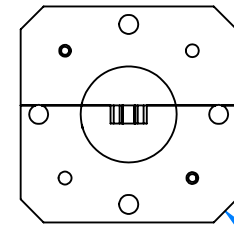
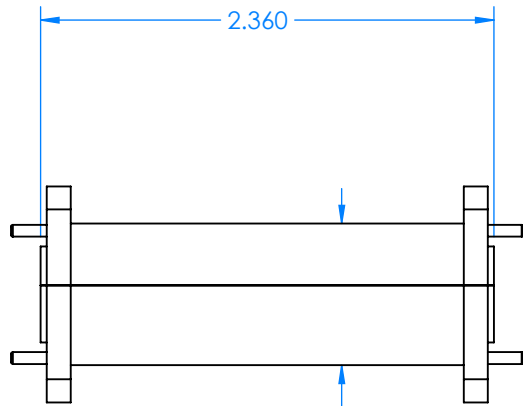
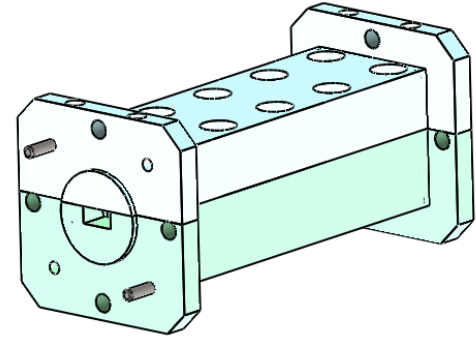
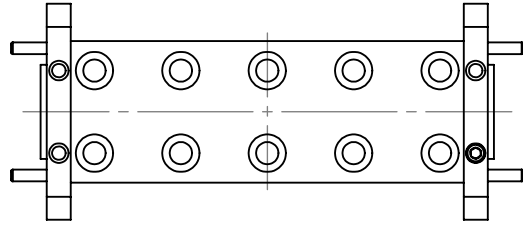


REVISIONS			
REV	DESCRIPTION	DATE	APPROVED
--	--	--	--



UG-383

UG-383

$.120 \times 45.00^\circ$

$.0615 \text{ DOWEL (2X)}$

ALL DIMENSIONS  
ARE REFERENCE  
ONLY

DECIMALS: XXXX ±.0005 XXX ±.005 XX ±.01	ANGLES: ± .5 DEGREE	THIRD ANGLE PROJECTION	<table border="1"> <tr> <td>NAME</td> <td>DATE</td> </tr> <tr> <td>DRAWN CC</td> <td>7-30-19</td> </tr> <tr> <td>CHECKED MS</td> <td>7-30-19</td> </tr> <tr> <td>ENG MS</td> <td>7-30-19</td> </tr> </table>	NAME	DATE	DRAWN CC	7-30-19	CHECKED MS	7-30-19	ENG MS	7-30-19	TITLE: Mi-Wave Millimeter Products Inc.	SIZE DWG. NO. 460U-55_383_OUTLINE_24766	REV
NAME	DATE													
DRAWN CC	7-30-19													
CHECKED MS	7-30-19													
ENG MS	7-30-19													
MATERIAL: 6061 T6 ALUMINUM			SCALE: 1:1	WEIGHT:	SHEET 1 OF 1									