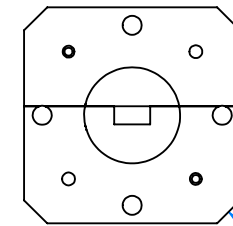
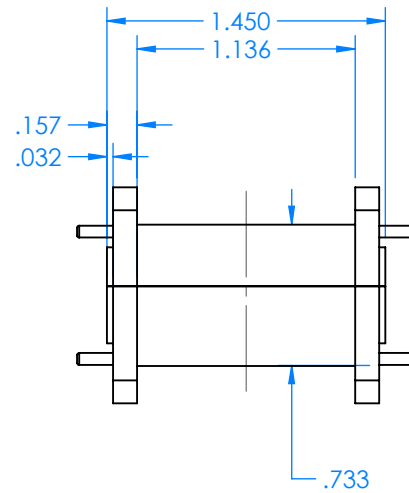
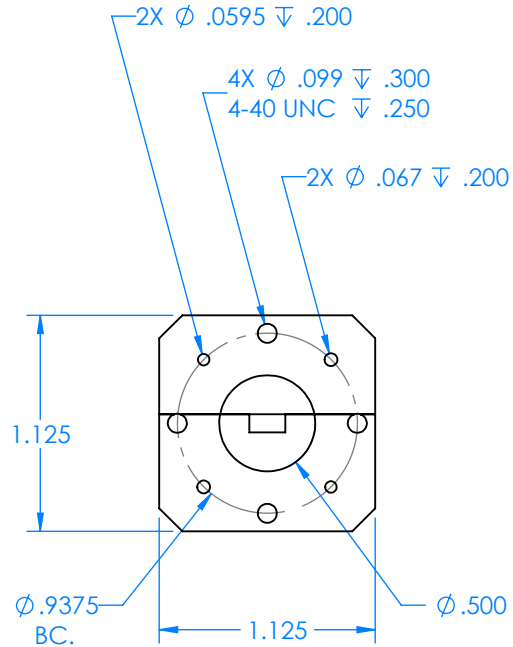
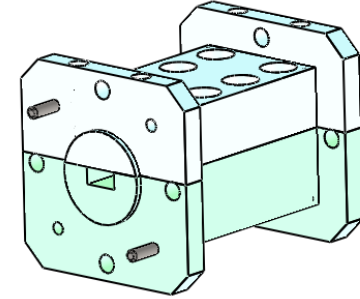
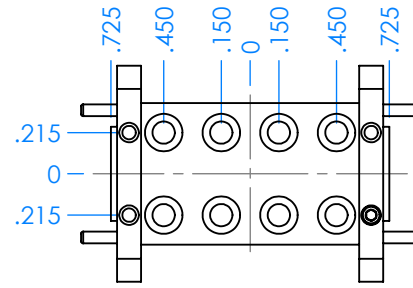
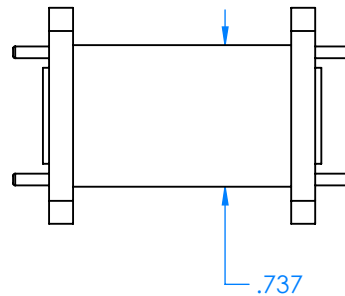


REVISIONS			
REV	DESCRIPTION	DATE	APPROVED
--	--	--	--



UG-383 .120 X 45.00°

UG-383



.0615 DOWEL (2X)

ALL DIMENSIONS
ARE REFERENCE
ONLY

DECIMALS: XXXX ±.0005 XXX ±.005 XX ±.01	ANGLES: ± .5 DEGREE	THIRD ANGLE PROJECTION	<table border="1"> <tr> <td>NAME</td> <td>DATE</td> </tr> <tr> <td>DRAWN JV</td> <td>5-30-19</td> </tr> <tr> <td>CHECKED MS</td> <td>5-30-19</td> </tr> <tr> <td>ENG MS</td> <td>5-30-19</td> </tr> </table>	NAME	DATE	DRAWN JV	5-30-19	CHECKED MS	5-30-19	ENG MS	5-30-19	TITLE: Mi-Wave Millimeter Products Inc.	SIZE DWG. NO. 460U-58_383_OUTLINE_24754	REV
NAME	DATE													
DRAWN JV	5-30-19													
CHECKED MS	5-30-19													
ENG MS	5-30-19													
MATERIAL: 6061 T6 ALUMINUM			SCALE: 1:1	WEIGHT:	SHEET 1 OF 1									