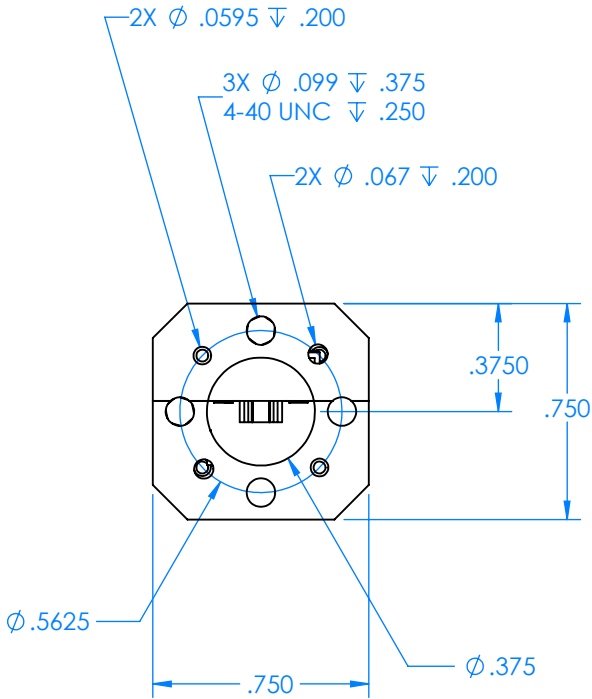
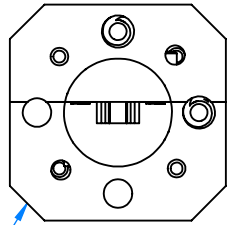
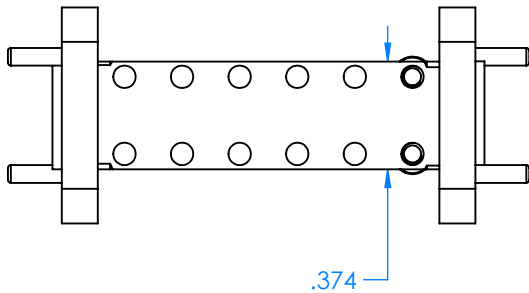
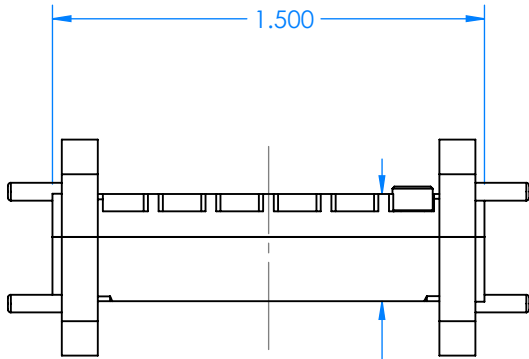
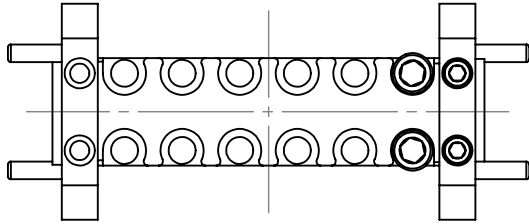
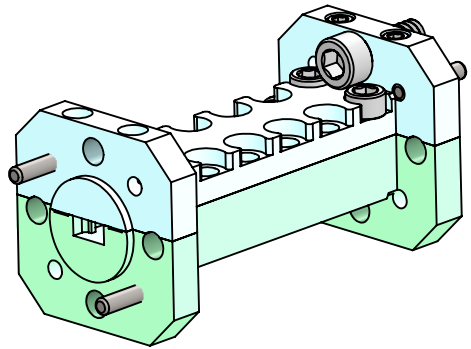


REVISIONS			
REV	DESCRIPTION	DATE	APPROVED
--	--	--	--



**UG-385**

**UG-385**

.120 X 45°

**.0615 DOWEL  
(2X)**

**ALL DIMENSIONS  
ARE REFERENCE  
ONLY**

DECIMALS: XXXX ±.0005 XXX ±.005 XX ±.01	ANGLES: ± .5 DEGREE	THIRD ANGLE PROJECTION	<table border="1"> <tr> <td>NAME</td> <td>DATE</td> </tr> <tr> <td>DRAWN JV</td> <td>6-22-20</td> </tr> <tr> <td>CHECKED LS</td> <td>6-22-20</td> </tr> <tr> <td>ENG LS</td> <td>6-22-20</td> </tr> </table>	NAME	DATE	DRAWN JV	6-22-20	CHECKED LS	6-22-20	ENG LS	6-22-20	TITLE: Millimeter Wave Products Inc.	SIZE DWG. NO.	REV
NAME	DATE													
DRAWN JV	6-22-20													
CHECKED LS	6-22-20													
ENG LS	6-22-20													
MATERIAL: 6061 T6 ALUMINUM			<b>A</b>	460V-54.5-56.5_385_OUTLINE_25332										
SCALE: 3:2			WEIGHT:	SHEET 1 OF 1										