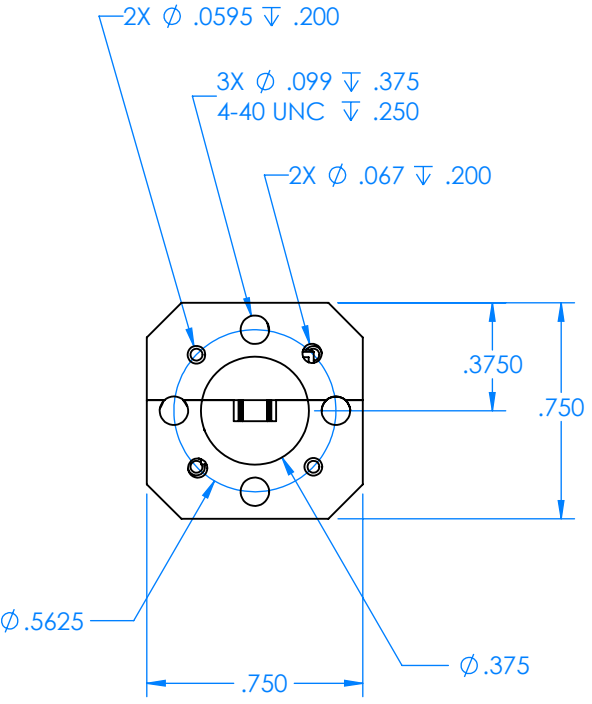
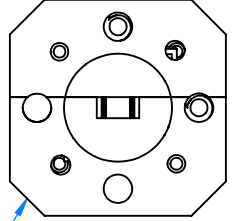
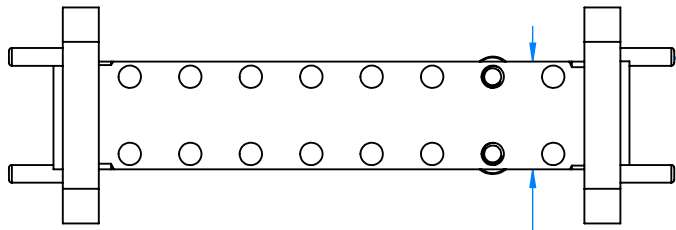
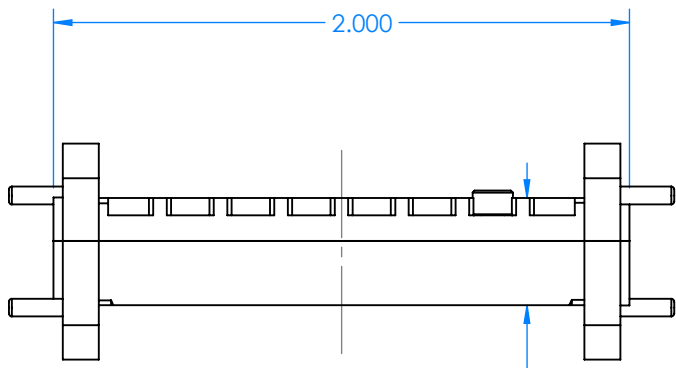
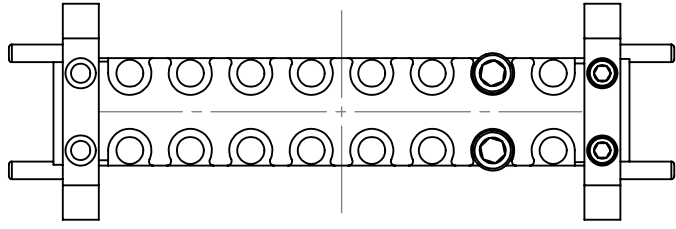
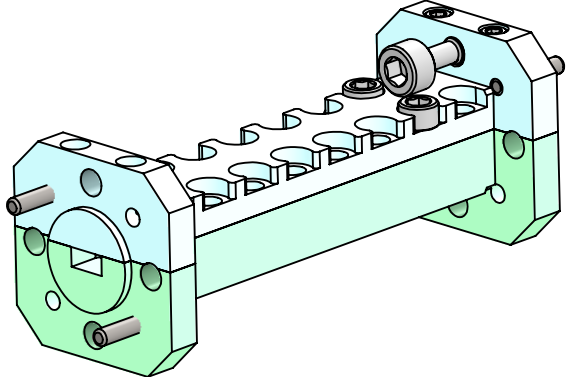


REVISIONS			
REV	DESCRIPTION	DATE	APPROVED
--	--	--	--



UG-385

UG-385

.120 X 45°

.0615 DOWEL (2X)

ALL DIMENSIONS ARE REFERENCE ONLY

DECIMALS: XXXX ±.0005 XXX ±.005 XX ±.01	ANGLES: ± .5 DEGREE	THIRD ANGLE PROJECTION	<table border="1"> <tr> <td>NAME</td> <td>DATE</td> </tr> <tr> <td>DRAWN JV</td> <td>6-19-20</td> </tr> <tr> <td>CHECKED LS</td> <td>6-19-20</td> </tr> <tr> <td>ENG LS</td> <td>6-19-20</td> </tr> </table>	NAME	DATE	DRAWN JV	6-19-20	CHECKED LS	6-19-20	ENG LS	6-19-20	TITLE: Millimeter Wave Products Inc.	SIZE DWG. NO.	REV
NAME	DATE													
DRAWN JV	6-19-20													
CHECKED LS	6-19-20													
ENG LS	6-19-20													
MATERIAL: 6061 T6 ALUMINUM			SCALE: 3:2	A	460V-65-20_385_OUTLINE_25328									
			WEIGHT:			SHEET 1 OF 1								