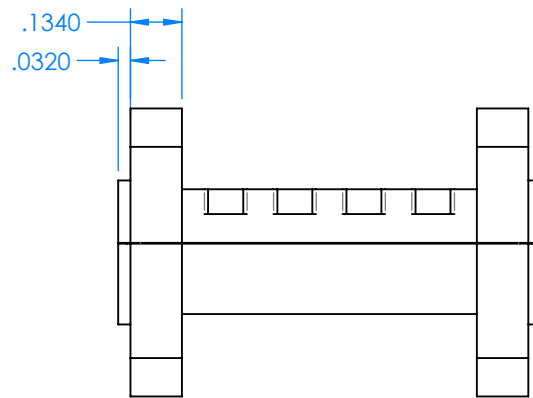
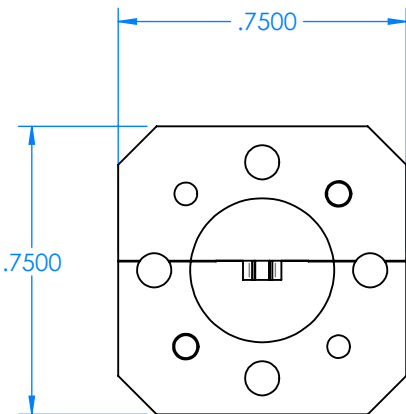
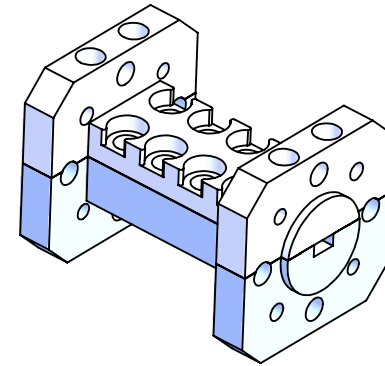
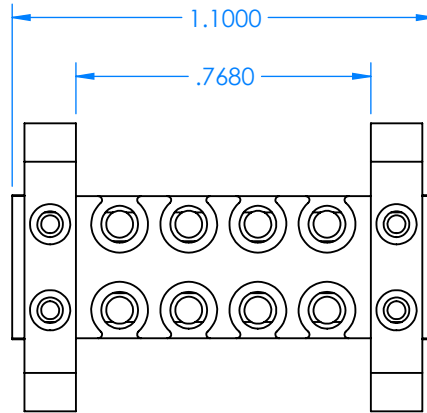
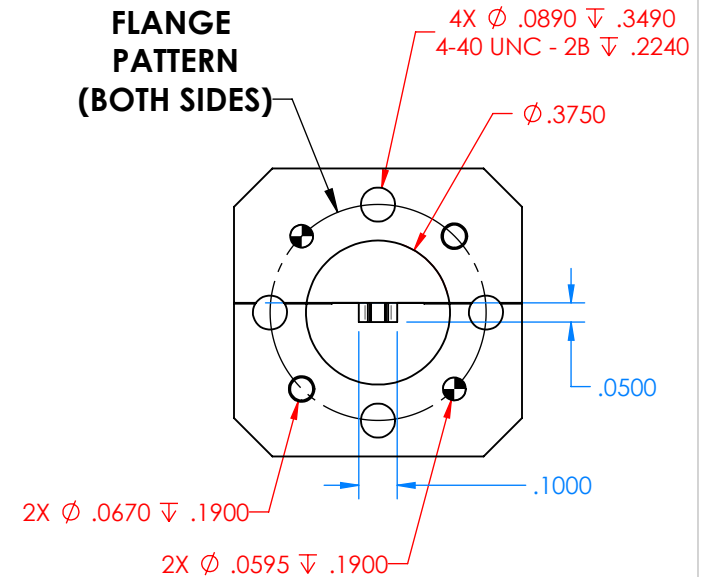


REVISIONS

REV	DESCRIPTION	DATE	APPROVED
-	-	-	-



ϕ .5625
UG-387
FLANGE
PATTERN
(BOTH SIDES)



DECIMALS: XXXX \pm .0005 XXX \pm .005 XX \pm .01	DRAWN	JV	6-11-20
ANGLES: \pm .5 DEGRESS	CHECKED	LS	6-11-20
THIRD ANGLE PROJECTION	ENG	LS	6-11-20
	MATL:	6061 T6 ALUMINUM	

TITLE: Millimeter Wave Products Inc.		REV
SIZE DWG. NO.	A 460W-100-387_OUTLINE_25310	-
SCALE: 2:1	WEIGHT:	SHEET 1 OF 1