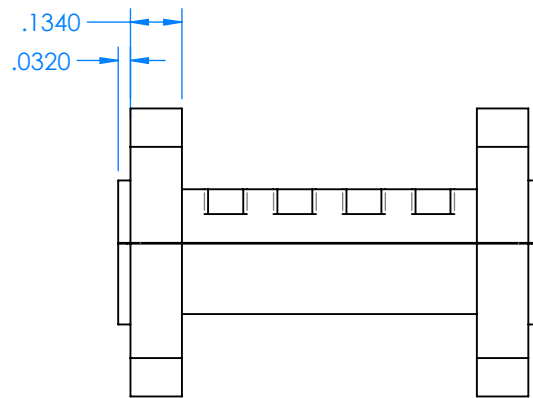
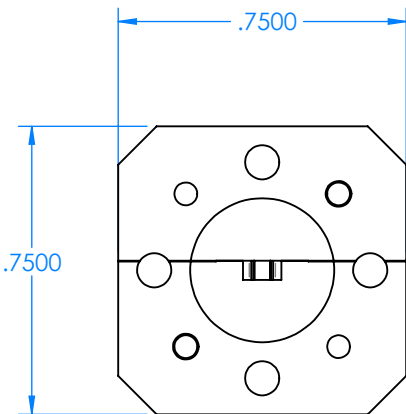
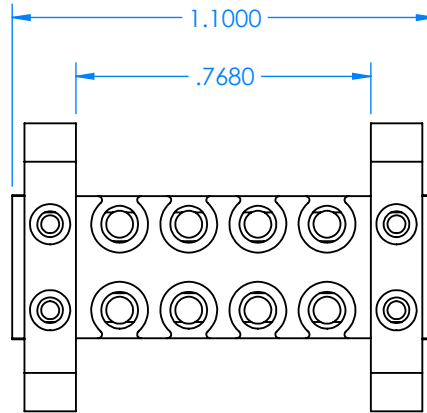
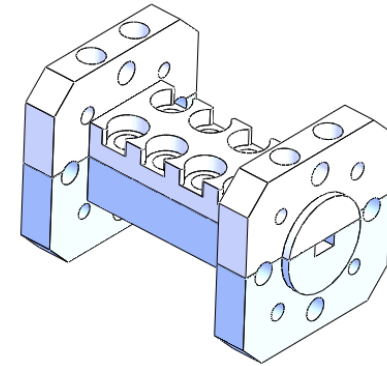
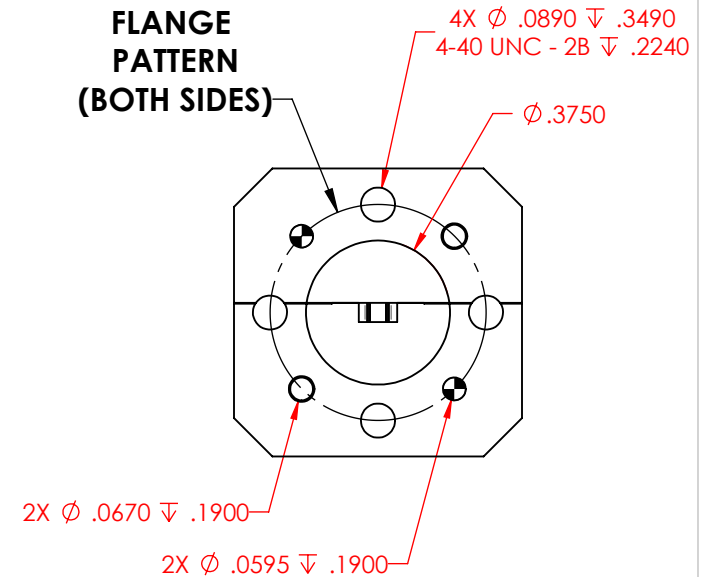


REVISIONS

REV	DESCRIPTION	DATE	APPROVED
-	-	-	-



ϕ .5625
UG-387
FLANGE
PATTERN
(BOTH SIDES)



DECIMALS: XXXX \pm .0005 XXX \pm .005 XX \pm .01	DRAWN	NAME	DATE
ANGLES: \pm .5 DEGRESS	CHECKED	CC	5-5-2020
THIRD ANGLE PROJECTION	ENG	LS	5-5-2020
	MATL:	6061 T6 ALUMINUM	

TITLE:	Millimeter Wave Products Inc.		
SIZE	DWG. NO.	REV	
A	460W-105-40-387_OUTLINE_25269	-	
SCALE: 2:1	WEIGHT:	SHEET 1 OF 1	