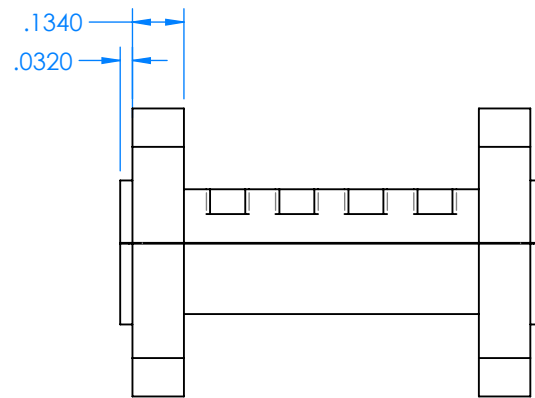
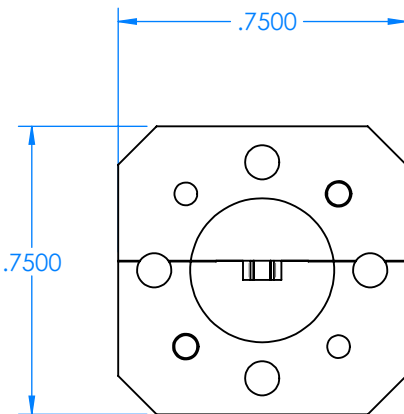
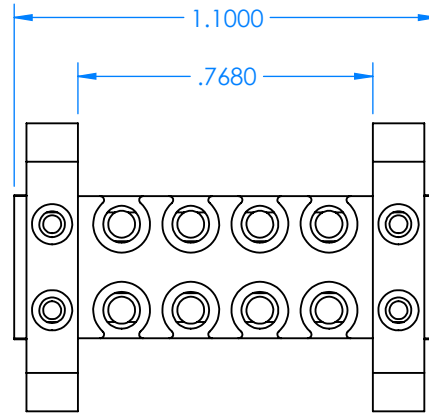
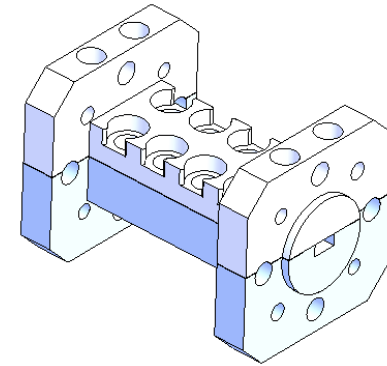
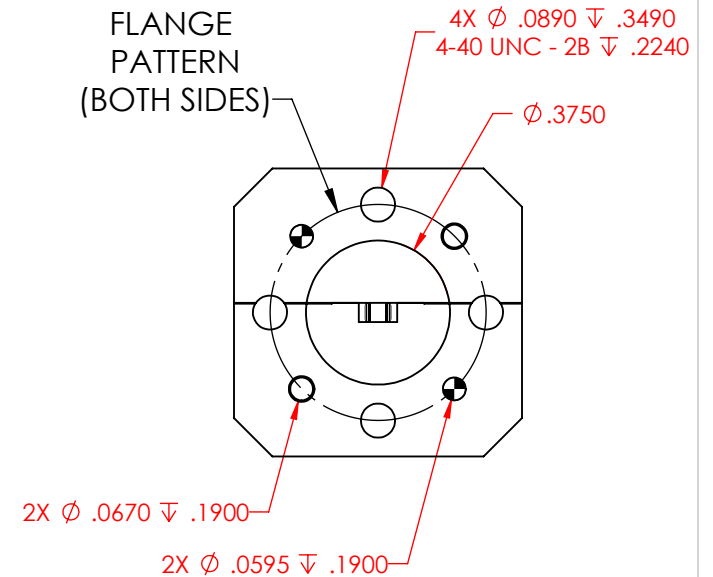


REVISIONS

REV	DESCRIPTION	DATE	APPROVED
-	-	-	-



Ø .5625
UG-387
FLANGE
PATTERN
(BOTH SIDES)



DECIMALS: XXXX ±.0005 XXX ±.005 XX ±.01	DRAWN	JV	6-17-19
ANGLES: ± .5 DEGRESS	CHECKED	LS	6-17-19
THIRD ANGLE PROJECTION	ENG	LS	6-17-19
MATL: 6061 T6 ALUMINUM	NAME	DATE	

TITLE: Millimeter Wave Products Inc.		REV
SIZE DWG. NO.	460W-84-387_OUTLINE_24814	-
A	SCALE: 2:1	WEIGHT:
		SHEET 1 OF 1