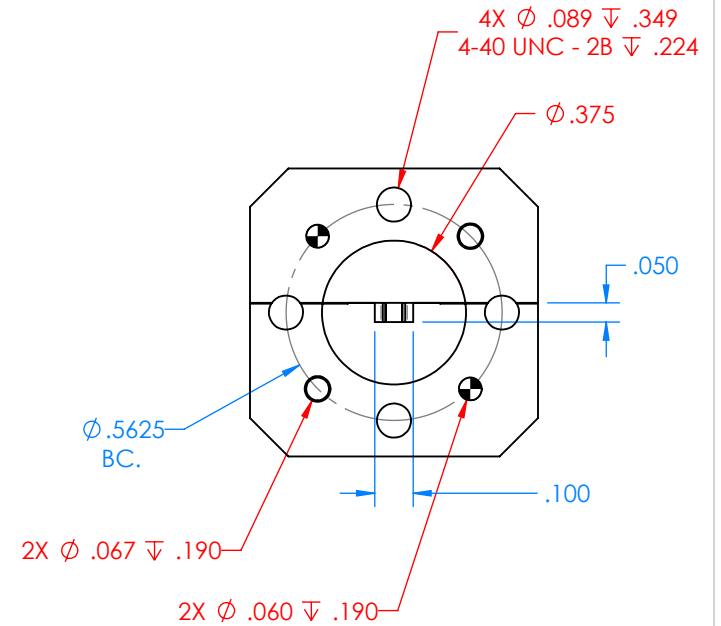
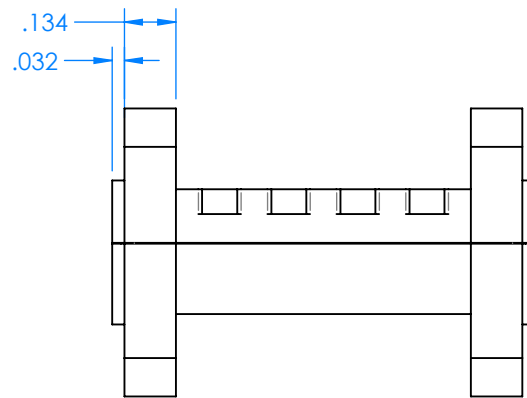
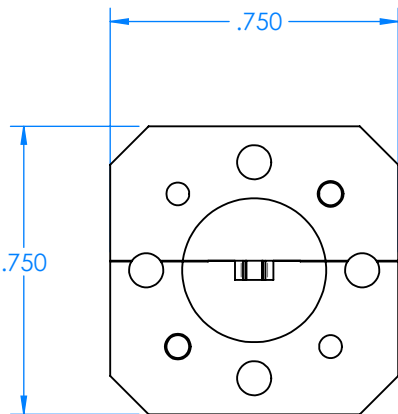
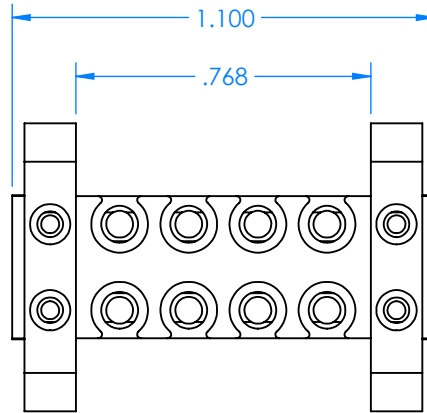
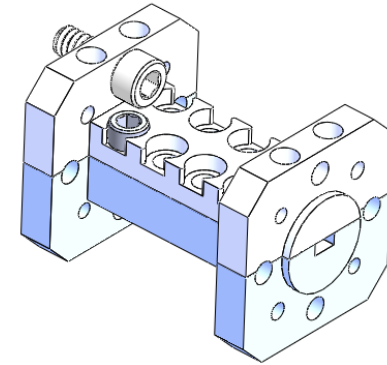


REVISIONS

REV	DESCRIPTION	DATE	APPROVED
-	-	-	-



ALL DIMENSIONS  
ARE REFERENCE ONLY

DECIMALS: XXXX ±.0005 XXX ±.005 XX ±.01	NAME	DATE
ANGLES: ± .5 DEGREE	DRAWN	JV 6-17-19
THIRD ANGLE PROJECTION	CHECKED	LS 6-17-19
	ENG	LS 6-17-19
	MATL:	6061 T6 ALUMINUM

TITLE: Millimeter Wave Products Inc.		REV
SIZE	DWG. NO.	-
A	460W-92.5-387_OUTLINE_24818	
SCALE: 2:1	WEIGHT:	SHEET 1 OF 1